

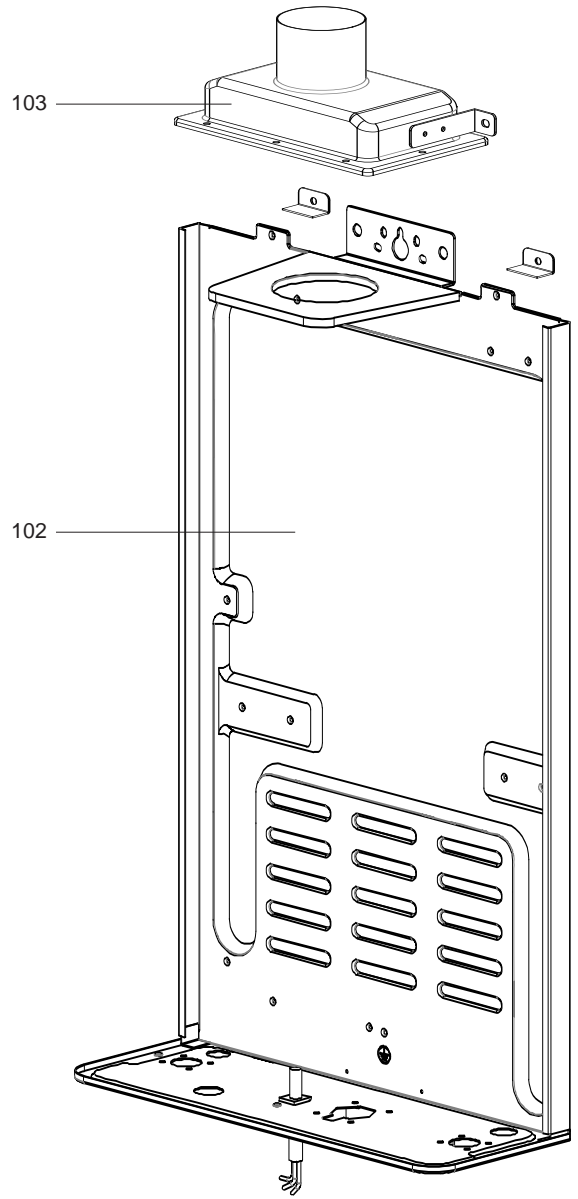
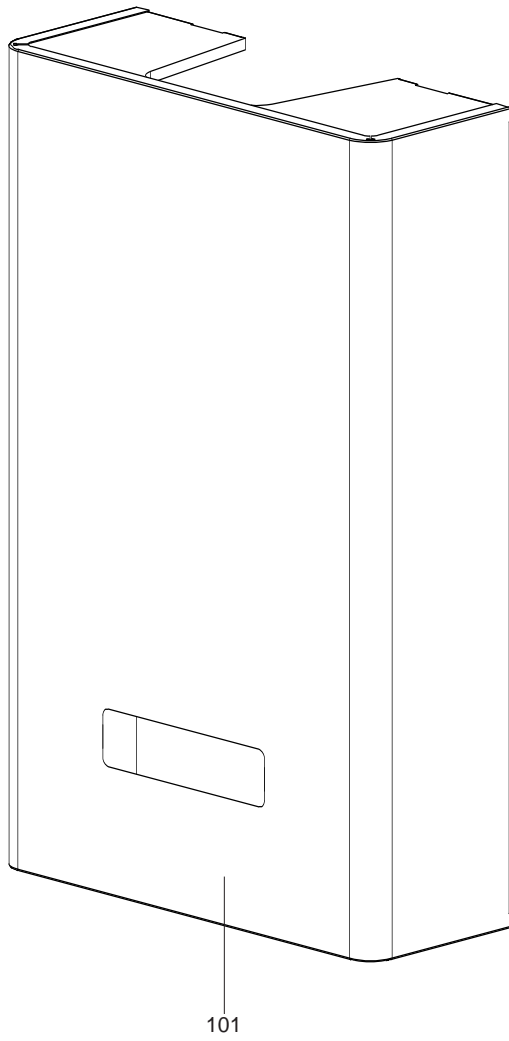
# SPARE PARTS EXPLODED VIEW INSTANTANEOUS GAS WATER HEATERS

Model

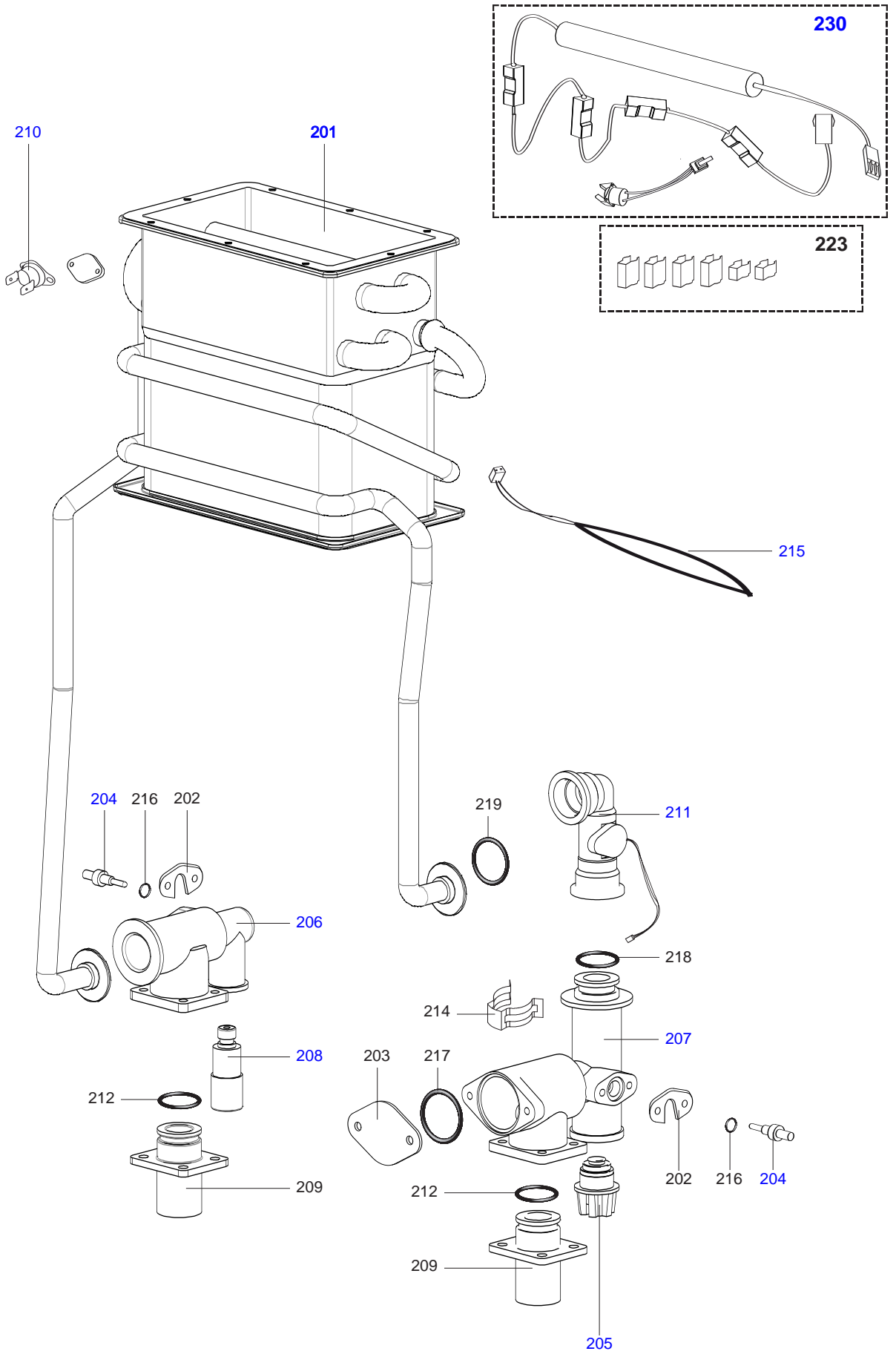
## **MARCO POLO GI7S FFI**

R8216790-01EN - Edition 01 - 01/01/2012

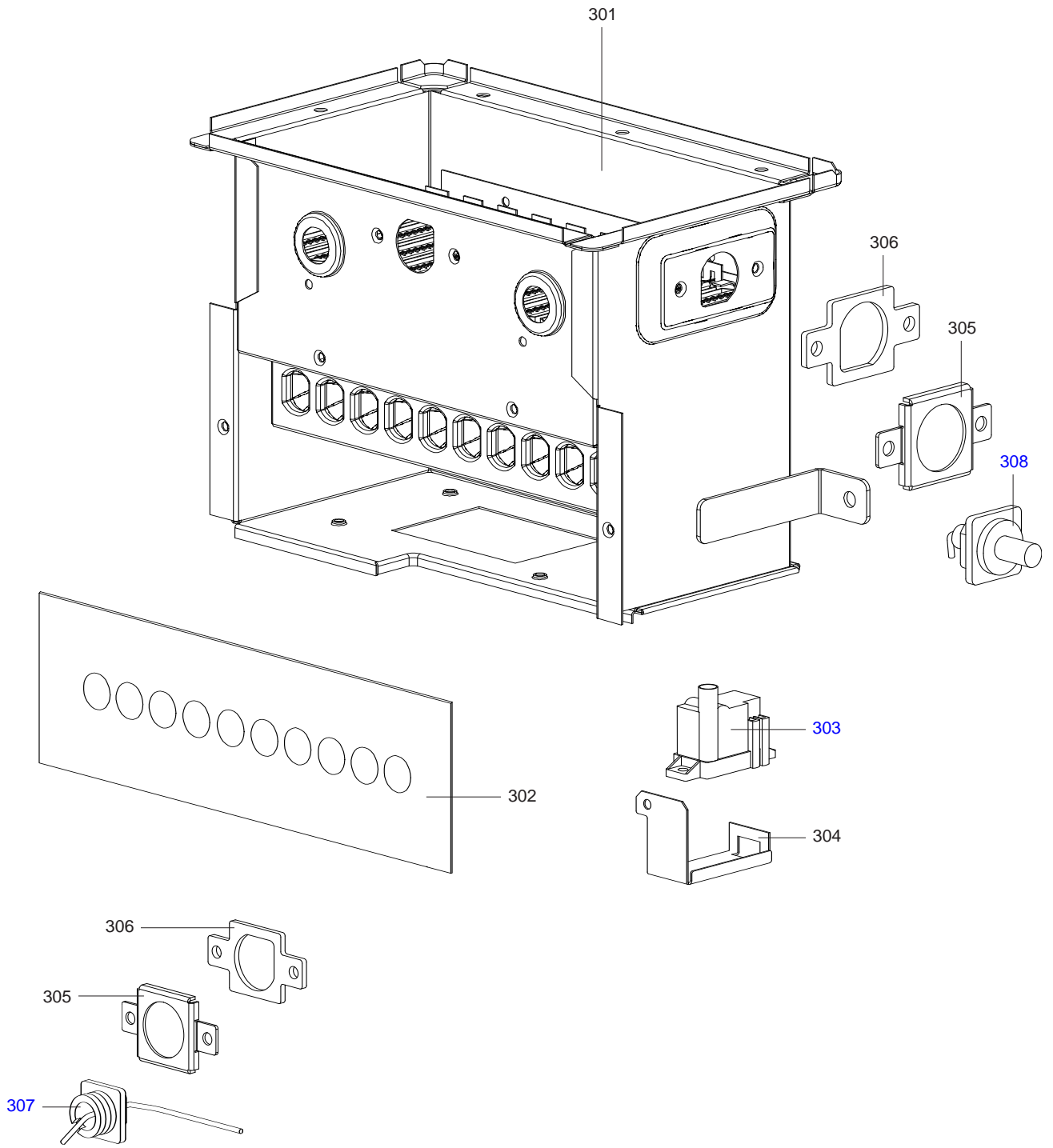
3612020		MARCO POLO GI7S 11L FFI NG	...	...
Reference	Ind.	Model type	Begin	End



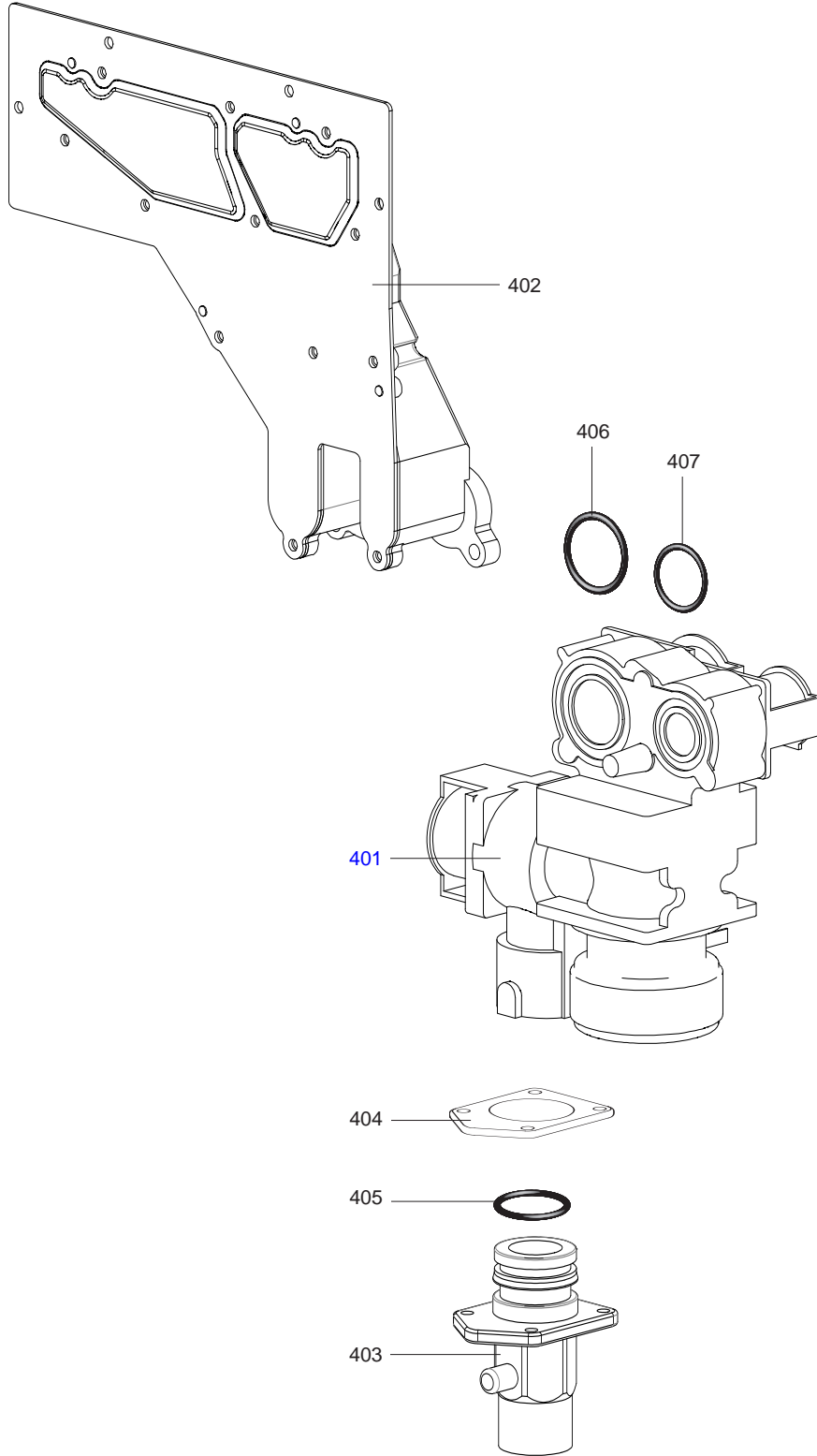






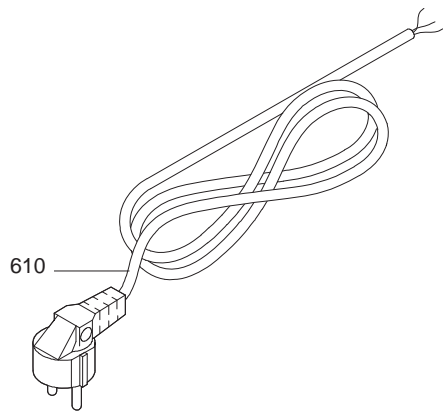
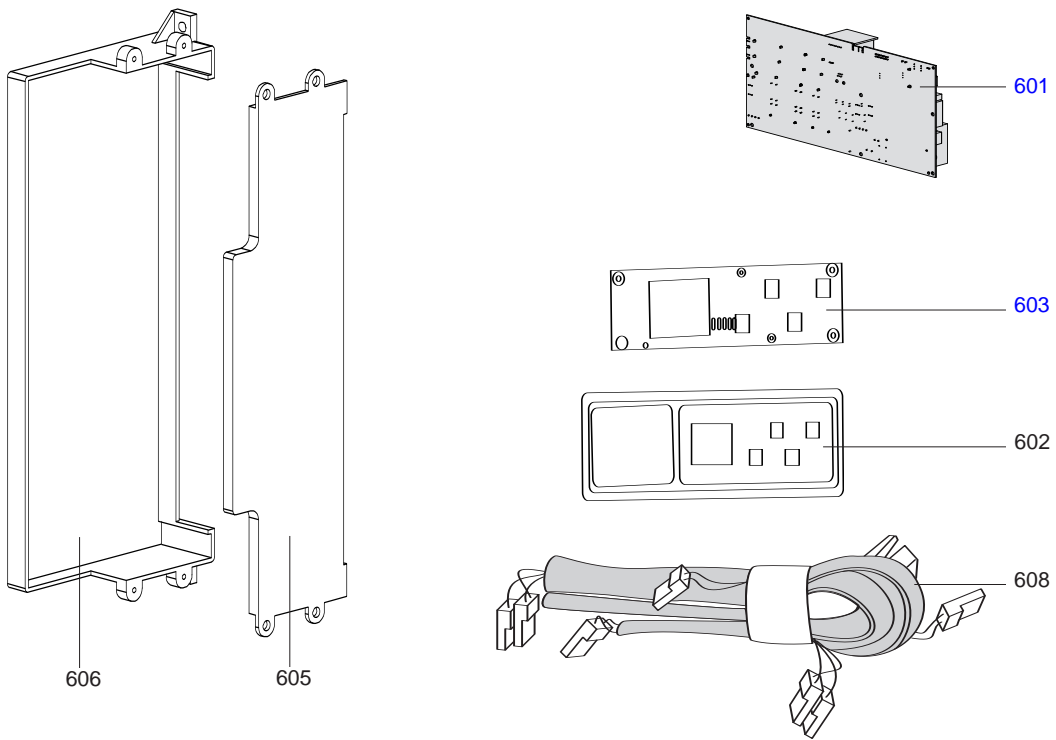
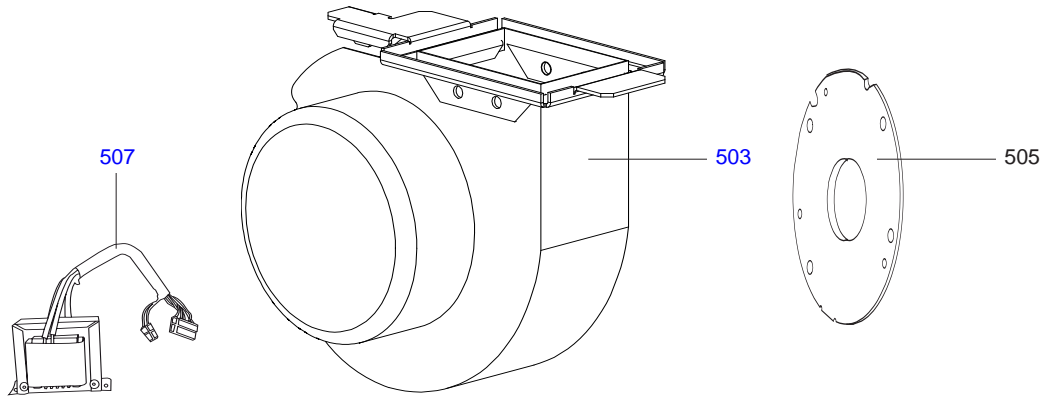












Key N	Description	Manf. Pt. N	Type	Manf. date	
				from	to
0500	<b>ВЕНТИЛЯТОР</b>				
0503	<b>ВЕНТИЛЯТОР В СБОРЕ</b>	65158416	•		
0505	ФЛАНЕЦ ВЕНТИЛЯТОРА	65158385	•		
0507	<b>ТРАНСФОРМАТОР ПИТАНИЯ</b>	65158389	•		
0600	<b>ЭЛЕКТРИЧЕСКАЯ ЧАСТЬ</b>				
0601	<b>ОСНОВНАЯ ПЛАТА</b>	65158393	•		
0602	ПЛАСТИКОВЫЙ КОЖУХ ПЛАТЫ ДИСПЛЕЯ	65158887	•		
0603	<b>ПЛАТА ДИСПЛЕЯ</b>	65158194	•		
0605	КРЫШКА КОРПУСА ПЛАТЫ ДИСПЛЕЯ	65158246	•		
0606	КОРПУС ПЛАТЫ ДИСПЛЕЯ	65158247	•		
0608	КОМПЛЕКТ ПРОВОДОВ	65158395	•		
0610	КАБЕЛЬ ЭЛЕКТРИЧЕСКИЙ	65158888	•		

## LIST OF THE ABBREVIATIONS

HW .....	: Hot water.
CW .....	: Cold water.
C .....	: Ceramic resistance (normal heating).
Ca .....	: Ceramic resistance (accelerated heating)
TP .....	: Immersion heater.
1F .....	: With fittings.
2F .....	: Without fittings.
3F .....	: With fittings and another outlet connection.
AMI .....	: With mixing valve.
SMI .....	: Without mixing valve.
PUISS .....	: Power of th appliance.
PN .....	: Appliance with normal pression.
LP .....	: Appliance with low pression.
PV .....	: Appliance with variable power.
PF .....	: Appliance with fixed power..

## IDENTIFICATION PLATE

### SERIAL NUMBER

<b>6 Characters :</b>	03 09 08	Manufacturing day Month of manufacture
Year of manufacture	_____	
<b>9 Characters :</b>	5 9 12 0606	Sequential number
Year of manufacture	_____	
Month of manufacture	_____	
<b>15 Characters :</b>	02 11 00001 007843	Code appareil Sequential number
Year of manufacture	_____	
Month of manufacture	_____	
<b>21 Characters :</b>	3200050 XX 08115 0000001	Sequential number Year (08) / Manufacturing day (115)
Product reference	_____	
<b>22 Characters :</b>	3200050 XX 070115 0000001	Sequential number Year (07) / Month (01) / Manufacturing day (15)
Product reference	_____	

The indications mentioned on the prices, commercial or technical literature and the scheme are written for your guidance and are available at a given time. The CONSTRUCTOR retains the power to modify the presentation, the form, the size, the conception or the material of the products.