



SPARE PARTS EXPLODED VIEW GAS WALL BOILERS

Model

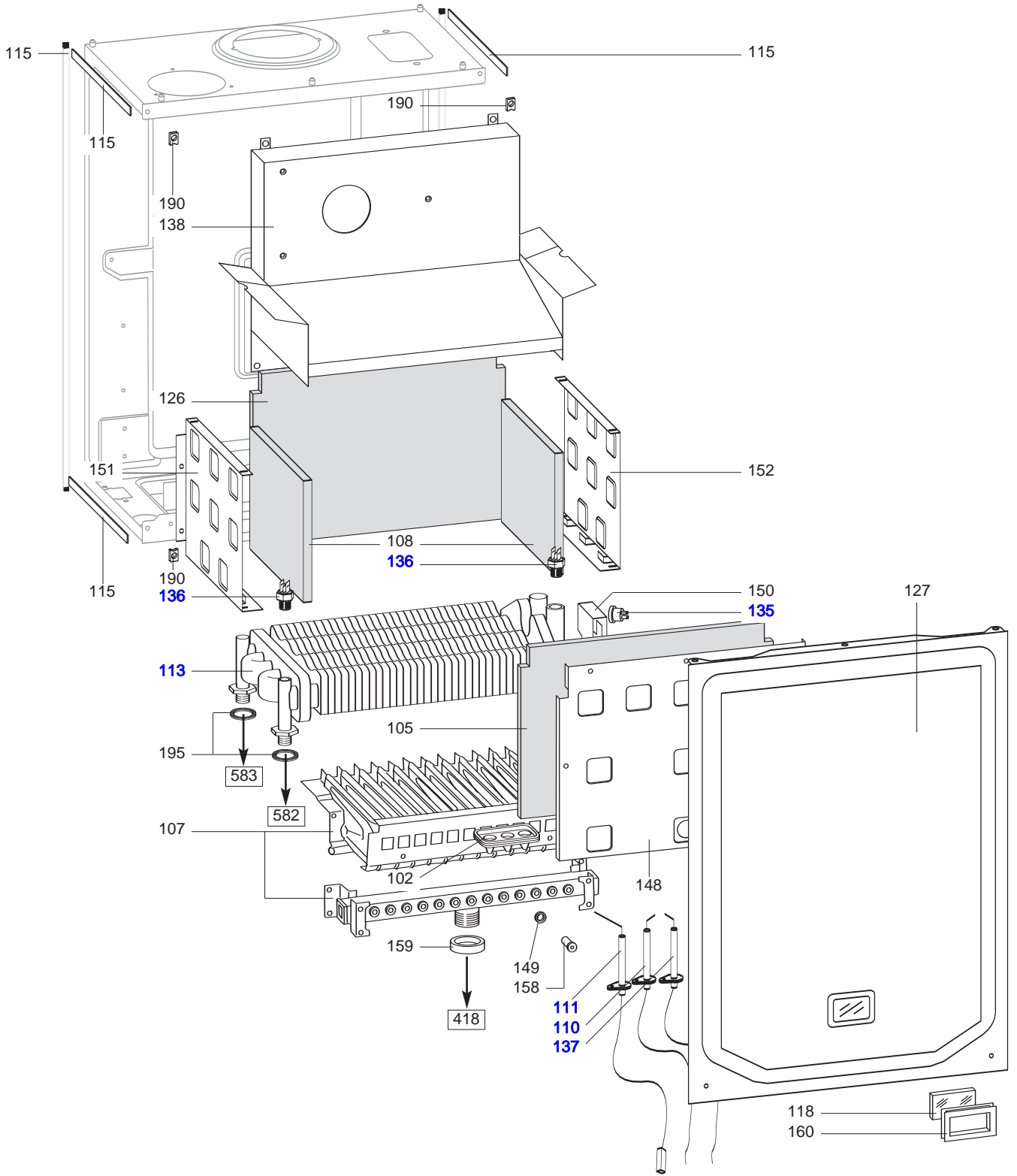
TX

R8215401-01EN - Edition 01 - 01/05/2006

TX

Domestic Gas Boilers

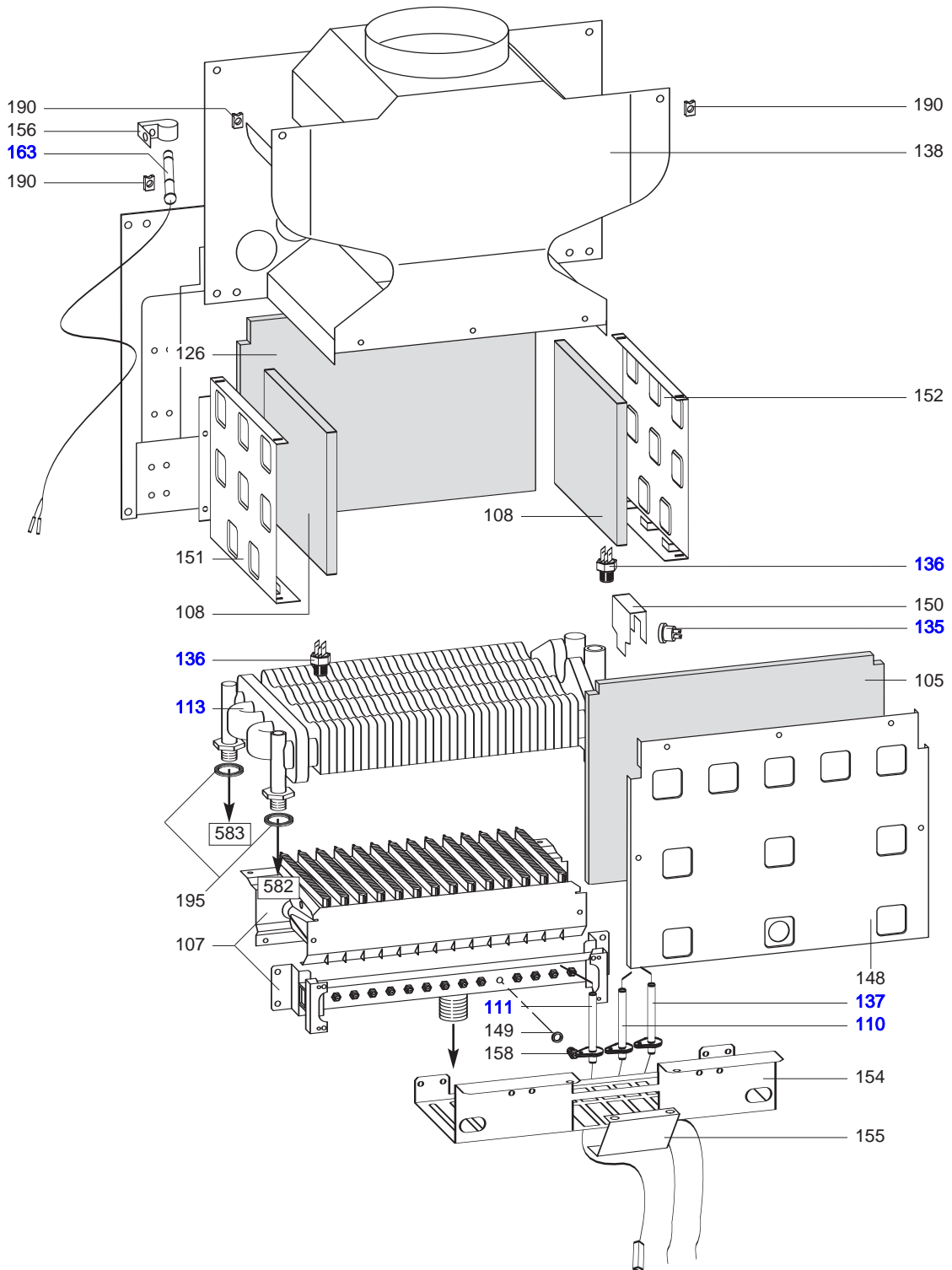
| 535700 | | TX 23 MFFI NG | ... | ... |
|-----------|------|---------------------------|-------|-----|
| 537824 | | TX 23 MFFI EAA NG ARISTON | ... | ... |
| 535965 | | TX 23 MFFI NG RADI | ... | ... |
| 535708 | | EUROCOMBI 23 MFFI NG | ... | ... |
| 3300012 | | TX 27 MFFI EAA NG | ... | ... |
| 535699 | | TX 23 MI NG | ... | ... |
| 537823 | | TX 23 MI EAA NG ARISTON | ... | ... |
| 535964 | | TX 23 MI NG RADI | ... | ... |
| 535707 | | EUROCOMBI 23 MI NG | ... | ... |
| Reference | Ind. | Model type | Begin | End |



| Key N | Description | Manf. Pt. N | Other | Type | MFFI | | | Manf. date | |
|-------|-------------------------------------|-------------|-------|------|------|----|----|------------|-------|
| | | | | | 23 | 27 | 23 | from | to |
| 0100 | SEALED CASE | | | | | | | | |
| 0102 | IGNITION ELECTRODE CABLE RUBBER | 998147 | | | • | • | | | |
| 0105 | PANEL (INSULATION - FRONT) | 995995 | | | • | • | | | |
| 0107 | BURNER | 995991 | | NG | | • | | | |
| | BURNER | 996158 | | NG | • | | | | |
| 0108 | PANEL (INSULATION - SIDE) | 998639 | | | • | • | | | |
| 0110 | ELECTRODE (IGNITION L.H.) | 65100250 | | | • | • | | | |
| 0111 | ELECTRODE (DETECTION) | 998624 | | | • | • | | | |
| 0113 | EXCHANGER (TWIN PASS) | 998619 | | | • | • | | | |
| 0115 | GASKET (ADHESIVE - 10x6 MM) | 65100879 | | | • | | | | 08/04 |
| | GASKET (ADHESIVE - 14X6 MM) | 65102772 | | | • | • | | 09/04 | |
| 0118 | SIGHT GLASS | 998075 | | | • | • | | | |
| 0126 | PANEL (INSULATION - REAR) | 998640 | | | • | • | | | |
| 0127 | ANEL (FRONT - SEALED CHAMBER) | 65101606 | | | • | • | | | |
| 0135 | THERMOSTAT | 998065 | | | • | • | | | |
| 0136 | TEMPERATURE PROBE (D.H.W.) | 998458 | | | • | • | | | |
| 0137 | ELECTRODE (IGNITION R.H.) | 65100251 | | | • | • | | | |
| 0138 | FLUE HOOD | 65102262 | | | • | • | | 12/03 | |
| | FLUE HOOD | 999385 | | | • | | | | 11/03 |
| 0148 | FRONT PANEL | 65100555 | | | • | • | | | |
| 0149 | BURNER JET WASHER | 572138 | | | • | • | | | |
| 0150 | FIXING SPRING (OVERHEAT THERMOSTAT) | 998582 | | | • | • | | | |
| 0151 | PANEL (L.H. SIDE) | 65100298 | | | | • | | | |
| | PANEL (L.H. SIDE) | 995893 | | | • | | | | |
| 0152 | PANEL (R.H. SIDE) | 995892 | | | • | | | | |
| | PANEL (R.H.SIDE) | 990707 | | | | • | | | |
| 0158 | BURNER JET (NG 1.30) | 998433 | | NG | • | • | | | |
| 0159 | SILICONE SEAL | 569443 | | | • | • | | | |
| 0160 | GASKET (SIGHT GLASS) | 998076 | | | • | • | | | |
| 0190 | SPRING (FASTENING) | 570717 | | | • | | | | |
| 0195 | GASKET 1/2 | 573528 | | | • | • | | | |

TX

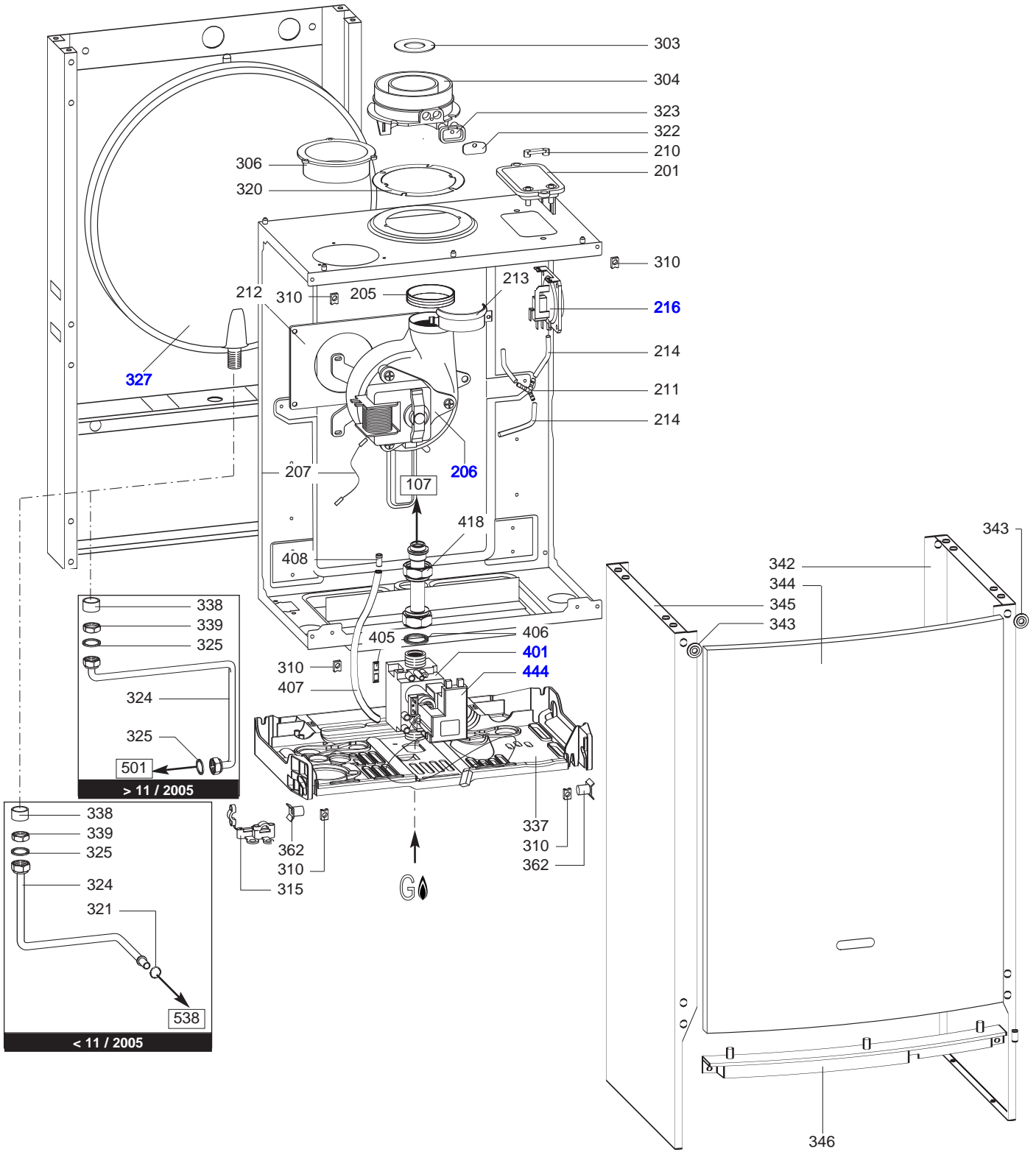
Domestic Gas Boilers



| Key N | Description | Manf. Pt. N | Other | Type | MFFI | | | MI | Manf. date | |
|-------|-------------------------------------|-------------|-------|------|------|----|----|----|------------|-------|
| | | | | | 23 | 27 | 23 | | from | to |
| 0100 | SEALED CASE | | | | | | | | | |
| 0105 | PANEL (INSULATION - FRONT) | 995999 | | | | | ● | | | |
| 0107 | BURNER | 996158 | | NG | | | ● | | | |
| 0108 | PANEL (INSULATION - SIDE) | 998639 | | | | | ● | | | |
| 0110 | ELECTRODE (IGNITION L.H.) | 65100250 | | | | | ● | | | |
| 0111 | ELECTRODE (DETECTION) | 998624 | | | | | ● | | | |
| 0113 | EXCHANGER (TWIN PASS) | 998619 | | | | | ● | | | |
| 0126 | PANEL (INSULATION - REAR) | 996126 | | | | | ● | | | |
| 0135 | THERMOSTAT | 996065 | | | | | ● | | | |
| 0136 | TEMPERATURE PROBE (D.H.W.) | 998458 | | | | | ● | | | |
| 0137 | ELECTRODE (IGNITION R.H.) | 65100251 | | | | | ● | | | |
| 0138 | FLUE HOOD | 65101422 | | | | | ● | | 11/05 | |
| | FLUE HOOD | 996425 | | | | | ● | | | 10/05 |
| 0148 | FRONT PANEL | 65100555 | | | | | ● | | | |
| 0149 | BURNER JET WASHER | 572138 | | | | | ● | | | |
| 0150 | FIXING SPRING (OVERHEAT THERMOSTAT) | 998582 | | | | | ● | | | |
| 0151 | PANEL (L.H. SIDE) | 995893 | | | | | ● | | | |
| 0152 | PANEL (R.H. SIDE) | 995892 | | | | | ● | | | |
| 0154 | PROTECTION SCREEN | 65101420 | | | | | ● | | 11/05 | |
| | PROTECTION SCREEN | 999411 | | | | | ● | | | 10/05 |
| 0155 | AIR BAFFLE PLATE | 65101421 | | | | | ● | | 11/05 | |
| | PROTECTION SCREEN | 999435 | | | | | ● | | | 10/05 |
| 0156 | SPRING (FLUE CONTROL PROBE) BURNER | 573349 | | | | | ● | | | |
| 0158 | JET (NG 1.30) | 998433 | | NG | | | ● | | | |
| 0163 | CABLE (FLUE CONTROL PROBE) | 995309 | | | | | ● | | | |
| 0190 | SPRING (FASTENING) | 570717 | | | | | ● | | | |
| 0195 | GASKET 1/2 | 573528 | | | | | ● | | | |

TX

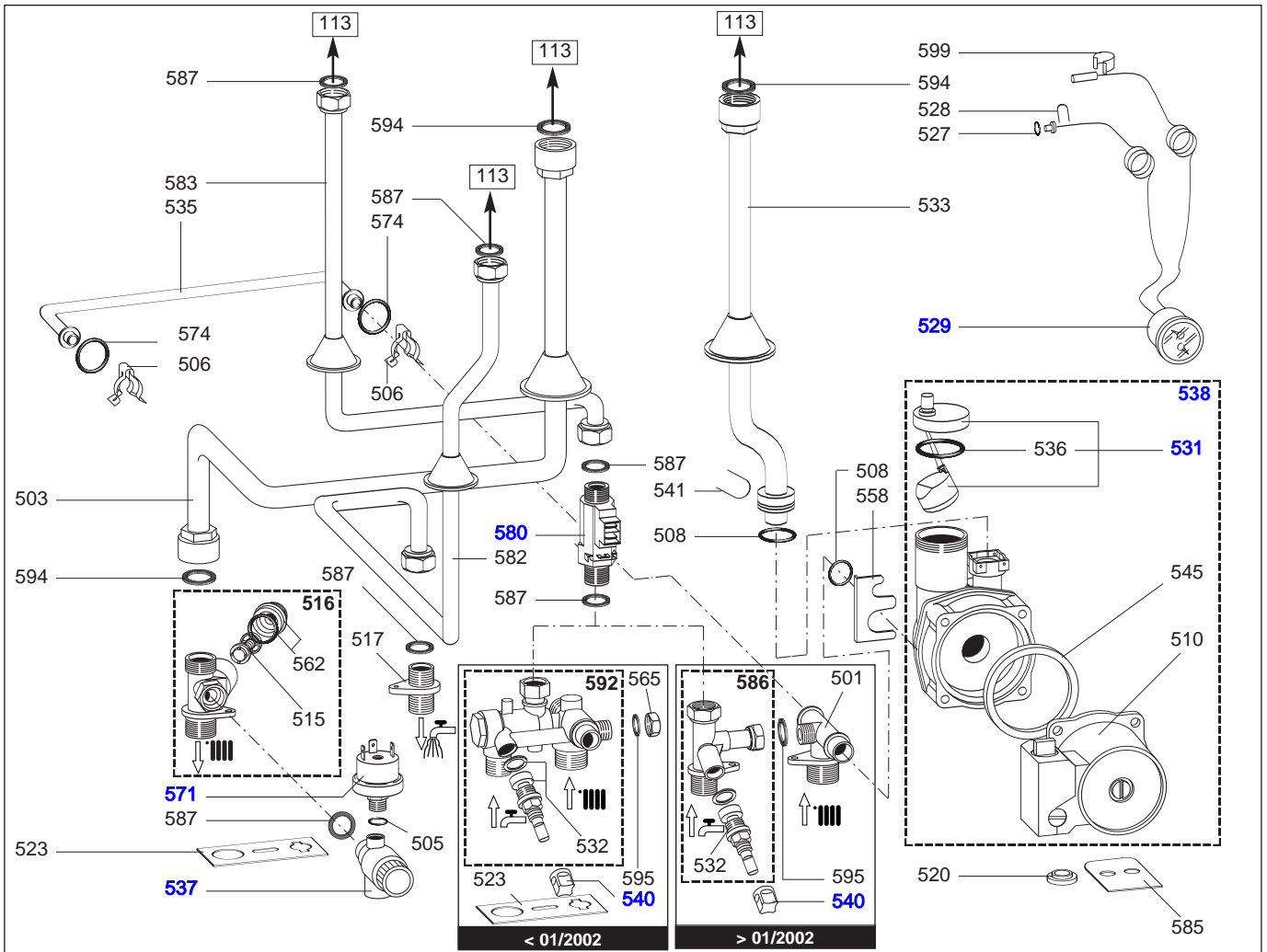
Domestic Gas Boilers



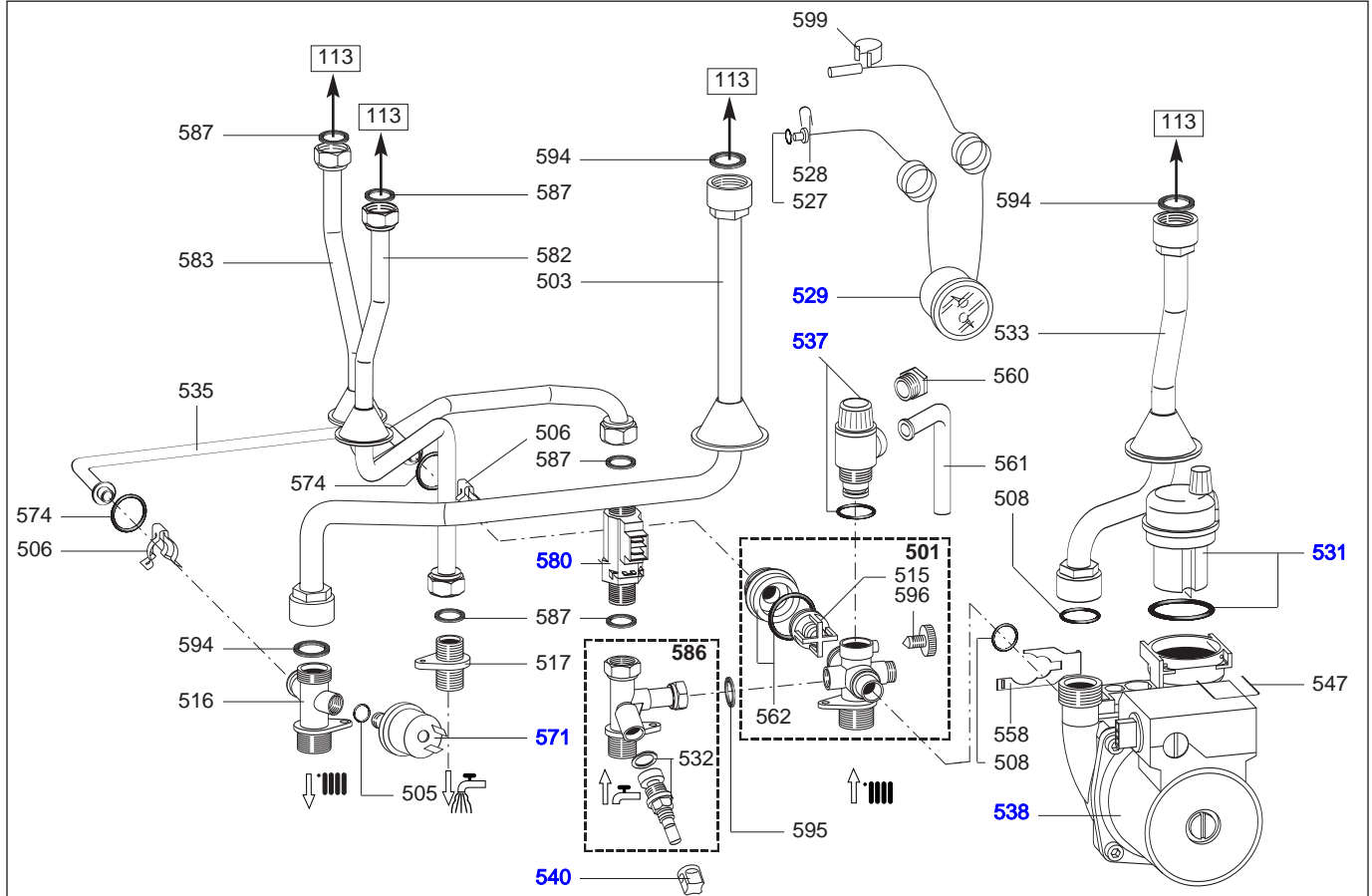
| Key N | Description | Manf. Pt. N | Other | Type | MFFI | | | Manf. date | | |
|-------------|----------------------------------|-----------------|-------|------|------|----|----|------------|-------|----|
| | | | | | 23 | 27 | 23 | MI | from | to |
| | | | | | | | | | | |
| 0200 | FAN ASSEMBLY | | | | | | | | | |
| 0201 | SUPPORT PLATE | 997203 | | | • | • | | | | |
| 0205 | GASKET (FAN) | 65100707 | | | • | • | | | | |
| 0206 | FAN | 998894 | | | | • | | | | |
| | FAN | 999397 | | | • | | | | | |
| 0207 | EARTH CABLE (FAN) | 65102263 | | | | • | | | | |
| | EARTH CABLE (FAN) | 65102263 | | | • | | | 05/04 | | |
| | EARTH CABLE (FAN) | 999925 | | | • | | | | 04/04 | |
| 0210 | PRESSURE INTAKE COVER | 573329 | | | • | • | | | | |
| 0211 | Y PIECE (AIR PRESSURE) | 573327 | | | • | • | | | | |
| 0212 | PANEL (INSULATION - FAN) | 999135 | | | • | • | | | | |
| 0213 | FIXING CLAMP (FAN) | 998566 | | | • | • | | | | |
| 0214 | COMPENSATION TUBE | 573576 | | | • | • | | | | |
| 0216 | AIR PRESSURE SWITCH | 571651 | | | • | • | | | | |
| | AIR PRESSURE SWITCH | 998484 | | | • | | | | | |
| 0300 | CHASSIS-FRONT CASE | | | | | | | | | |
| 0303 | RESTRICTOR (D= 45) | 998113 | | | • | • | | | | |
| | RESTRICTOR (D=43) | 999980 | | | • | • | | | | |
| 0304 | FLUE (EXHAUST MANIFOLD / HEADER) | 999561 | | | • | • | | | | |
| 0306 | PLUG (AIR INTAKE) | 998595 | | | • | • | | | | |
| 0310 | SPRING (FASTENING) | 570717 | | | • | • | • | | | |
| 0315 | CABLE HOLDER | 998580 | | | • | • | • | | | |
| 0320 | GASKET (FLUE COLLAR) | 998637 | | | • | • | | | | |
| 0321 | O-RING | 998077 | | | • | • | • | | 10/05 | |
| 0322 | COVER (FLUE TEST POINT) | 998565 | | | • | • | | | | |
| 0323 | GASKET (FLUE TEST POINT) | 998636 | | | • | • | | | | |
| 0324 | PIPE (EXPANSION VESSEL) | 65100681 | | | • | • | • | 11/05 | | |
| | PIPE (EXPANSION VESSEL) | 999525 | | | • | • | • | | 10/05 | |
| 0325 | GASKET 3/8 | 573521 | | | • | • | • | | | |
| 0327 | EXPANSION VESSEL | 998616 | | | • | • | • | | | |
| 0338 | BUSH (EXPANSION VESSEL) | 998776 | | | • | • | • | | | |
| 0339 | 3/8 LOCK NUT | 998581 | | | • | • | • | | | |
| 0342 | CASE PANEL (R.H. SIDE) | 65100301 | | | | • | | | | |
| | CASE PANEL (R.H. SIDE) | 65102557 | | | | | • | | | |
| | CASE PANEL (R.H. SIDE) | 998476 | | | • | | | | | |
| 0343 | WASHER | 995305 | | | • | • | • | | | |
| 0344 | CASE PANEL (FRONT) | 998442 | | | • | • | • | | | |
| 0345 | CASE PANEL (L.H. SIDE) | 65100300 | | | | • | | | | |
| | CASE PANEL (L.H. SIDE) | 65102558 | | | | | • | 11/04 | | |
| | CASE PANEL (L.H. SIDE) | 998477 | | | • | | | | | |
| | CASE PANEL (L.H. SIDE) | 998695 | | | | | • | | 10/04 | |
| 0346 | FRONT PANEL CROSSBAR | 991944 | | | • | • | • | | | |
| 0362 | PIVOT | 995492 | | | • | • | • | | | |
| 0400 | GAS SECTION | | | | | | | | | |
| 0401 | GAS VALVE | 997089 | | | • | • | • | | | |
| 0405 | GASKET (SPARK GENERATOR) | 574279 | | | • | • | • | | | |
| 0406 | GASKET 3/4 | 573520 | | | • | • | • | | | |
| 0407 | COMPENSATION TUBE | 573576 | | | • | • | | | | |
| 0408 | RIVET | 573325 | | | • | • | | | | |
| 0418 | GAS PIPE | 65100432 | | | • | • | • | | 10/05 | |
| | GAS PIPE | 65102552 | | | • | • | • | 11/05 | | |
| 0444 | SPARK GENERATOR (KIT) | 65100514 | | | • | • | • | | | |

TX

Domestic Gas Boilers



< 11 / 2005

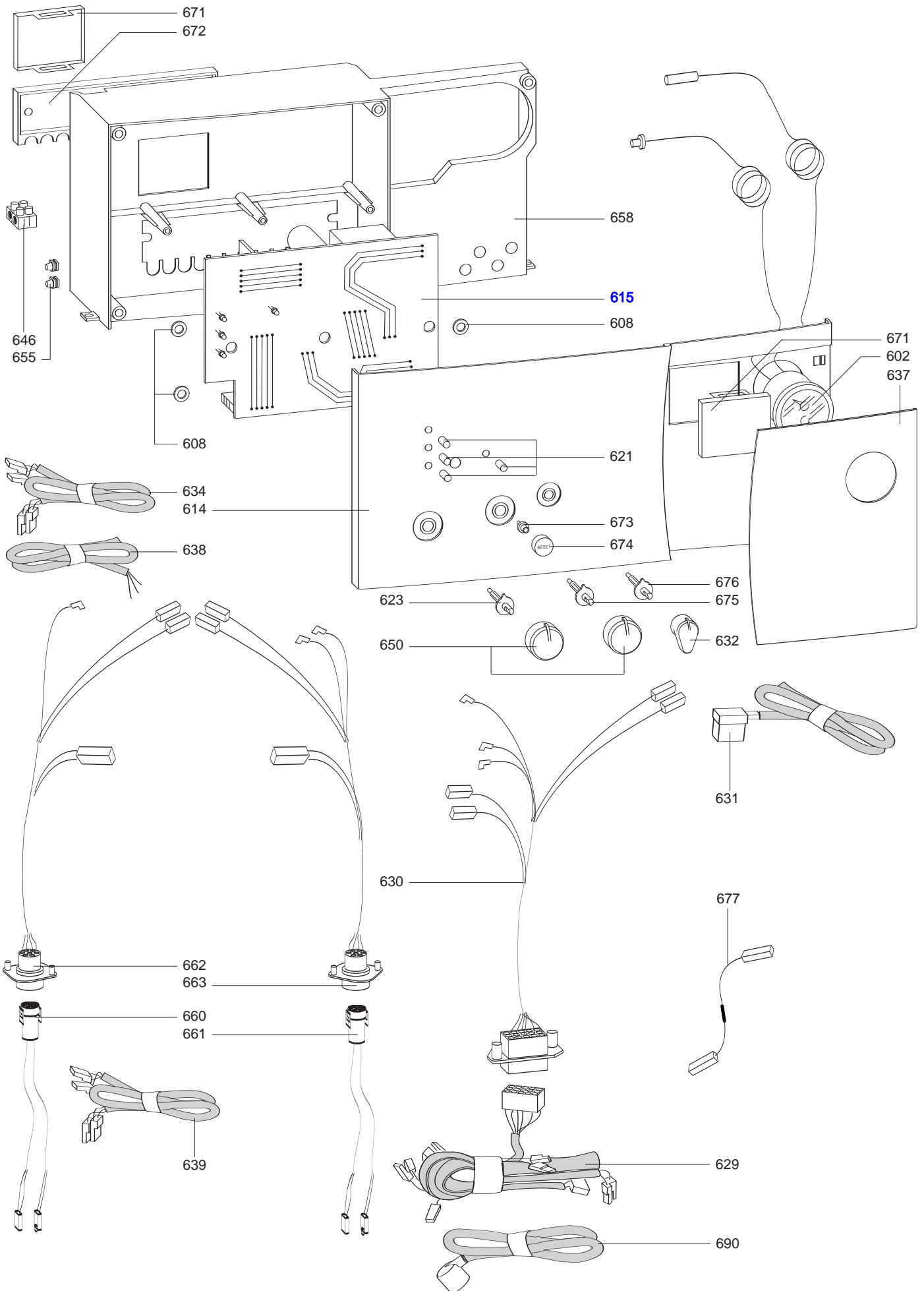


> 11 / 2005

| Key N | Description | Manf. Pt. N | Other | Type | MFFI | | | Manf. date | |
|-------------|-------------------------------------|-----------------|-------|------|------|----|----|------------|-------|
| | | | | | 23 | 27 | 23 | from | to |
| | | | | | | | | | |
| 0500 | WATER SECTION ASSY | | | | | | | | |
| 0501 | RETURN GROUP | 65103140 | | | • | • | • | 11/05 | |
| | RETURN GROUP | 996048 | | | • | • | • | 01/02 | 10/05 |
| | RETURN GROUP | 998615 | | | • | | | | 12/01 |
| 0503 | PIPE (C.H. FLOW) | 65103135 | | | | | • | 11/05 | |
| | PIPE (C.H. FLOW) | 65103169 | | | • | • | | 11/05 | |
| | PIPE (C.H. FLOW) | 998727 | | | • | • | | | 10/05 |
| | PIPE (C.H. FLOW) | 998733 | | | | | • | | 10/05 |
| 0505 | GASKET 1/4 | 569390 | | | • | • | • | | |
| 0506 | SPRING (BY-PASS PIPE) | 998064 | | | • | • | • | 01/02 | |
| 0508 | O-RING | 998424 | | | • | • | • | | |
| 0510 | KIT (MOTOR PUMP) | 996615 | | | • | • | • | | 10/05 |
| 0515 | BY-PASS | 65103163 | | | • | • | • | 11/05 | |
| | BY-PASS | 996046 | | | • | • | • | 01/02 | 10/05 |
| 0516 | FLOW GROUP | 65103139 | | | • | • | • | 11/05 | |
| | FLOW GROUP | 996049 | | | • | • | • | 01/02 | 10/05 |
| | FLOW GROUP | 998612 | | | • | • | • | | 12/01 |
| 0517 | UNION (HOT WATER OUTLET) | 998611 | | | • | • | • | | |
| 0520 | LOCK WASHER | 999100 | | | • | • | • | | |
| 0523 | GASKET (ANTI-VIBRATION) | 999601 | | | • | • | • | | |
| 0527 | O-RING | 998517 | | | • | • | • | | |
| 0528 | U-CLIP | 571548 | | | • | • | • | | |
| 0529 | TEMPERATURE/PRESSURE GAUGE | 999520 | | | • | • | • | | |
| 0531 | AUTO AIR VENT + O-RING | 995367 | | | • | • | • | 11/05 | |
| | AUTO AIR VENT + O-RING | 998643 | | | • | • | • | | 10/05 |
| 0532 | TAP KIT | 996071 | | | • | • | • | | |
| 0533 | PIPE (C.H. RETURN) | 65103137 | | | | | • | 11/05 | |
| | PIPE (C.H. RETURN) | 65103171 | | | • | • | | 11/05 | |
| | PIPE (C.H. RETURN) | 998731 | | | • | • | | | 10/05 |
| | PIPE (C.H. RETURN) | 998734 | | | | | • | | 10/05 |
| 0535 | BY-PASS PIPE | 65100684 | | | • | • | • | 11/05 | |
| | BY-PASS PIPE | 998589 | | | • | • | • | 01/02 | 10/05 |
| | BY-PASS PIPE | 999923 | | | • | • | • | | 12/01 |
| 0536 | O-RING (PUMP) | 998644 | | | • | • | • | | 10/05 |
| 0537 | SAFETY VALVE | 65103222 | | | • | • | • | 11/05 | |
| | SAFETY VALVE | 998447 | | | • | • | • | | 10/05 |
| 0538 | PUMP | 65103096 | | | • | • | • | 11/05 | |
| | KIT FOR REAR PUMP ATTACHMENT | 996614 | | | • | • | • | | 10/05 |
| 0540 | FILLING COCK KNOB | 571559 | | | • | • | • | | |
| 0541 | U-CLIP | 997153 | | | • | • | • | | 10/05 |
| 0545 | GASKET (PUMP HEAD) | 998738 | | | • | • | • | | 10/05 |
| 0547 | U-CLIP (AUTO AIR VENT) | 995368 | | | • | • | • | 11/05 | |
| 0558 | CLIP | 65102797 | | | • | • | • | 11/05 | |
| | PUMP BRACKET | 999162 | | | • | • | • | | 10/05 |
| 0560 | PIPE (SAFETY VALVE OUTLET) | 573176 | | | • | • | • | 11/05 | |
| 0561 | NUT | 998567 | | | • | • | • | 11/05 | |
| 0562 | UNION BY-PASS + O-RING | 65102068 | | | • | • | • | 01/02 | 10/05 |
| | UNION BY-PASS + O-RING | 65103162 | | | • | • | • | 11/05 | |
| 0565 | 3/8 NUT | 996056 | | | | | • | | |
| 0571 | LOW WATER PRESSURE SWITCH | 995903 | | | • | • | • | | |
| 0574 | O-RING | 998077 | | | • | • | • | 01/02 | |
| 0580 | FLOW GAUGE (BITRON - 1/2 M-M) | 65100296 | | | • | • | • | | |
| 0582 | PIPE (D.H.W. OUTLET) | 65103136 | | | | | • | 11/05 | |
| | PIPE (D.H.W. OUTLET) | 65103170 | | | • | • | | 11/05 | |
| | PIPE (D.H.W. OUTLET) | 999104 | | | • | • | | | 10/05 |
| | PIPE (D.H.W. OUTLET) | 999109 | | | | | • | | 10/05 |
| 0583 | PIPE (COLD WATER INLET) | 65103138 | | | | | • | 11/05 | |
| | PIPE (COLD WATER INLET) | 65103172 | | | • | • | | 11/05 | |
| | PIPE (COLD WATER INLET) | 996083 | | | | | • | 01/02 | 10/05 |
| | PIPE (COLD WATER INLET) | 999106 | | | • | • | | 11/03 | |
| | PIPE (COLD WATER INLET) | 996044 | | | • | • | | 12/03 | 10/05 |
| | PIPE (COLD WATER INLET) | 999108 | | | | | • | | 12/01 |
| 0586 | FLOW GROUP | 65103141 | | | • | • | • | 11/05 | |
| | TAP FITTING | 996050 | | | • | • | • | 01/02 | 10/05 |
| 0587 | GASKET 1/2 | 573528 | | | • | • | • | | |
| 0592 | RETURN GROUP | 998615 | | | • | • | • | | 12/01 |
| 0594 | GASKET 3/4 | 573520 | | | • | • | • | | |
| 0595 | GASKET 3/8 | 573521 | | | • | • | • | | |
| 0599 | FIXING SPRING (PRESSURE GAUGE) | 571565 | | | • | • | • | | |

TX

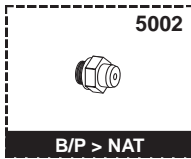
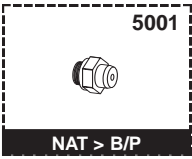
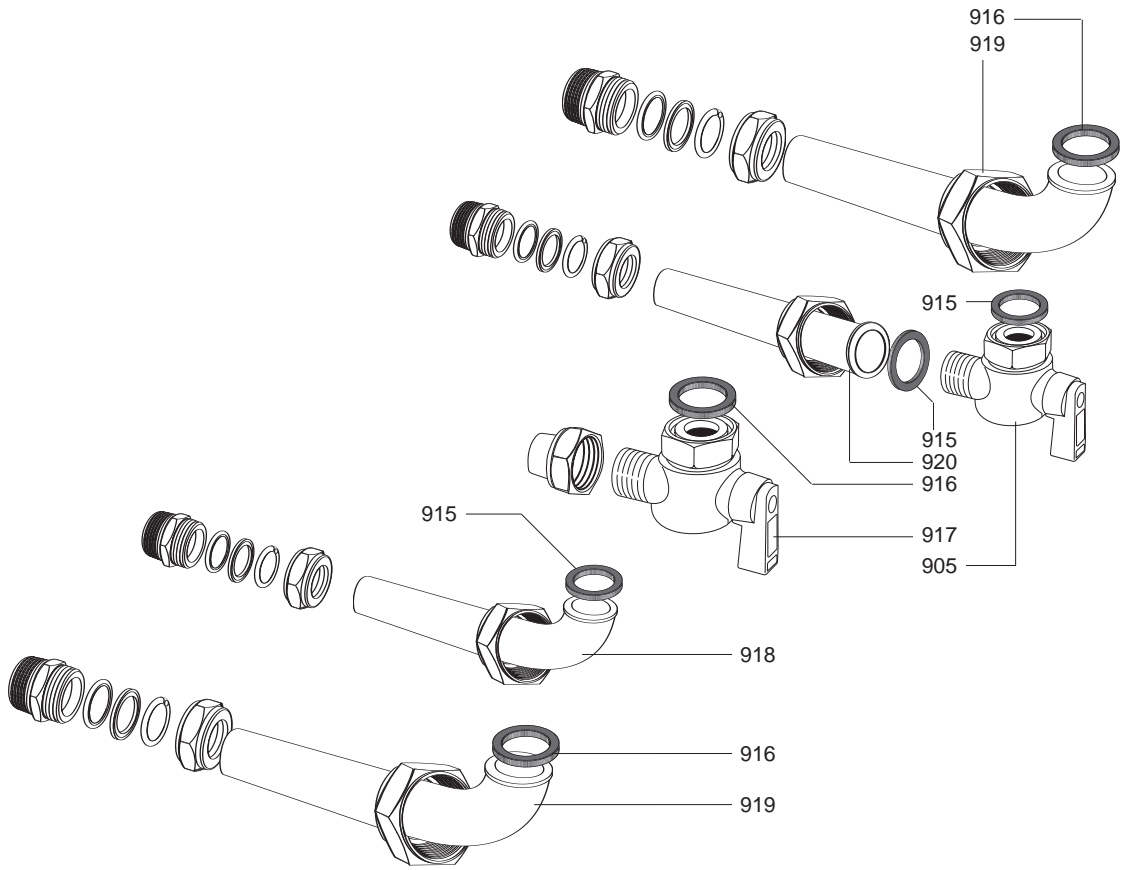
Domestic Gas Boilers



| Key N | Description | Manf. Pt. N | Other | Type | MFFI | | | Manf. date | |
|-------|------------------------------------|-------------|-------|------|------|----|----|------------|-------|
| | | | | | 23 | 27 | 23 | MI | MI |
| 0600 | ELECTRICAL BOX | | | | | | | | |
| 0602 | TEMPERATURE/PRESSURE GAUGE | 999520 | | | | | | | |
| 0608 | NYLON BUSH (10MM) | 569711 | | | • | • | • | | |
| 0614 | CONTROL PANEL | 998927 | | | • | • | • | | |
| 0615 | PC.B. (TEC1-FFI) | 65101374 | | | • | • | • | 03/04 | |
| | PC.B. (TX MFFI) | 999723 | | | • | | | | 02/04 |
| | PC.B. (TX MI) | 999722 | | | | • | • | | 02/04 |
| 0621 | LED (L=10.8) | 998576 | | | • | • | • | | |
| 0623 | SPINDLE (TEMPERATURE KNOB) | 998578 | | | • | • | • | | |
| 0629 | WIRING | 65103174 | | | • | • | | 09/05 | |
| 0630 | WIRING | 65103173 | | | • | • | | 09/05 | |
| 0631 | CABLE (P.C.B. - PUMP) | 999968 | | | • | • | • | | |
| 0632 | ON-OFF KNOB | 998932 | | | • | • | • | | |
| 0634 | LOW VOLTAGE WIRING | 998635 | | | • | • | • | | |
| 0637 | FRONT COVER DOOR | 995373 | | | • | • | • | | |
| 0638 | CABLE (POWER SUPPLY) | 65101073 | | | • | • | • | | 02/04 |
| | CABLE (POWER SUPPLY) | 995979 | | | • | • | • | 03/04 | |
| 0639 | WIRING (PROBE) | 65103142 | | | | | • | | |
| 0646 | TERMINAL BOARD (TWO POLE) | 571787 | | | • | • | • | | |
| 0650 | CONTROL KNOB | 998933 | | | • | • | • | | |
| 0655 | BLIND GROMMET | 569720 | | | • | • | • | | |
| 0658 | CONTROL PANEL | 999604 | | | • | | • | | |
| | CONTROL PANEL | 999604 | | | | • | | 11/05 | |
| 0660 | FAN CABLE & SENSOR | 995319 | | | • | • | | | 08/05 |
| 0661 | CABLE (P.C.B./AIR PRESSURE SWITCH) | 999929 | | | • | • | | | 08/05 |
| 0662 | FAN CABLE & SENSOR | 995318 | | | • | • | | | 08/05 |
| 0663 | WIRING (AIR PRESSURE SWITCH/PROBE) | 999425 | | | • | • | | | 08/05 |
| 0671 | COVER | 997745 | | | • | • | • | | |
| 0672 | CONTROL PANEL COVER | 999238 | | | • | • | • | | |
| 0673 | RESET BUTTON (INSERT) | 998573 | | | • | • | • | | |
| 0674 | BUTTON (RESET) | 998604 | | | • | • | • | | |
| 0675 | SPINDLE (TEMPERATURE KNOB) | 998575 | | | • | • | • | | |
| 0676 | SPINDLE (ON/OFF KNOB) | 998574 | | | • | • | • | | |
| 0677 | EXTENSION (WITH 15 OHM RESISTANCE) | 999495 | | | • | • | • | | 04/02 |
| 0690 | CABLE (OVERHEAT THERMOSTAT) | 999927 | | | | | • | | |

TX

Domestic Gas Boilers



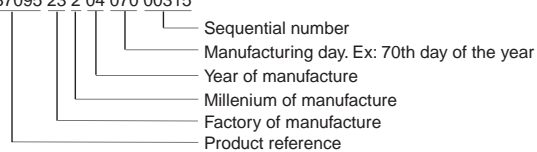
LIST OF THE ABBREVIATIONS

| | |
|-------------|--|
| HW | : Hot water. |
| CW | : Cold water. |
| C | : Ceramic resistance (normal heating). |
| Ca | : Ceramic resistance (accelerated heating) |
| TP | : Immersion heater. |
| 1F | : With fittings. |
| 2F | : Without fittings. |
| 3F | : With fittings and another outlet connection. |
| AMI | : With mixing valve. |
| SMI | : Without mixing valve. |
| PUISS | : Power of th appliance. |
| PN | : Appliance with normal pression. |
| LP | : Appliance with low pression. |
| PV | : Appliance with variable power. |
| PF | : Appliance with fixed power.. |

IDENTIFICATION PLATE

SERIAL NUMBER

Ex: 0537095 23 2 04 070 00315



The indications mentioned on the prices, commercial or technical literature and the scheme are written for your guidance and are available at a given time. The CONSTRUCTOR retains the power to modify the presentation, the form, the size, the conception or the material of the products.