



SPARE PARTS EXPLODED VIEW
GAS WALL BOILERS

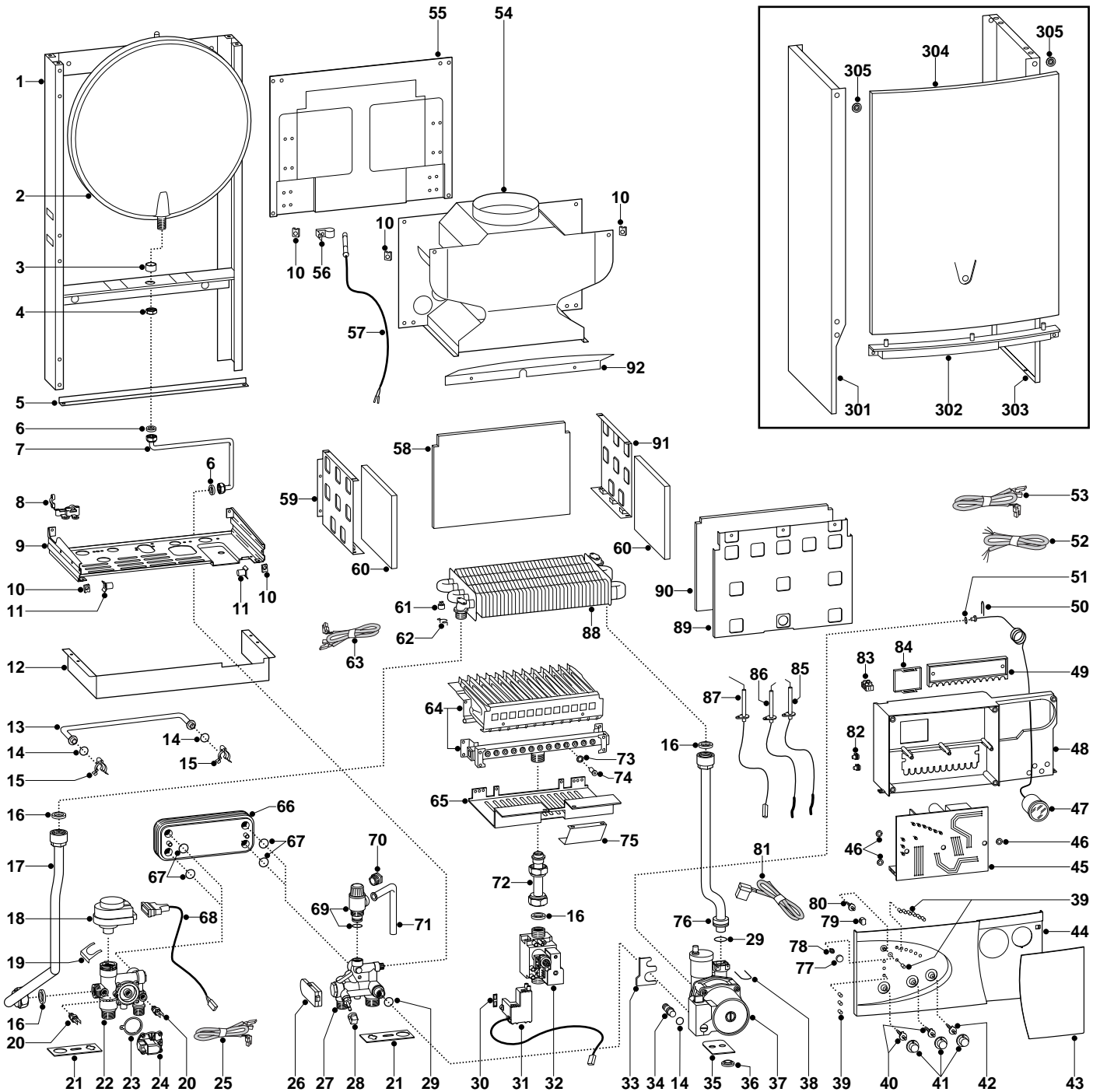
Model

MICROGENUS 23 MI

MICROGENUS 27 MI

Edition 1 of 16 December 2002





ER2.0022.10032901001

MODEL	CHARACTERISTICS	SERIAL NO. VALIDITY	REF.
MICROGENUS 23 MI	METHANE	2320230100001	A
MICROGENUS 27 MI	METHANE	2320230100001	B

PART.	CODE	DESCRIPTION	REF.	NOTE
1	-----	Frame		11
2	998616	Expansion vessel		
3	998776	Bush		
4	998581	3/8" lock nut		
5	990492	Frame support		
6	573521	Gasket 3/8" (25 pcs)		
7	999102	Pipe (expansion vessel)		
8	998580	Cable holder		
9	-----	Hydraulic group support		11
10	570717	Spring (fastening) (5 pcs)		
11	995492	Pivot		
12	995333	Grankase (connectors cover white)		
13	998589	By-pass pipe		
14	998077	O-ring gasket (20 pcs)		
15	998064	Spring (by-pass pipe) (10 pcs)		
16	573520	Gasket 3/4" (25 pcs)		
17	999996	Pipe (C.H. flow)		
18	997147	Motor (3-Way valve)		
19	997077	Fixing clip (motor)		
20	998458	Temperature probe		
21	999601	Gasket (anti-vibration)		
22	998613	Flow group		
23	571547	Diaphragm (main flow switch)		
24	998099	Main circuit flow switch		
25	998632	Cable (temperature probes)		
26	999075	D.H.W. flow switch		
27	999672	Return group (flow gauge)		
28	571559	Filling cock knob		
29	998424	O-ring (C=4 D=17,04) (10 pcs)		
30	574279	Gasket (5 pcs)		
31	999919	Spark generator		
32	997089	Gas valve (SIT 845 SIGMA)		
33	999162	Pump bracket		
34	999598	Pump plug		
35	995364	Spacer plate (pump)		
36	999100	Lock washer (20 pcs)		
37	990854	Pump	B	
37	999591	Pump	A	
38	997153	U-clip (20 pcs)		
39	998570	L.E.D.		
40	998575	Spindle (temperature knob)		
41	998603	Control knob		
42	998572	Spindle (on/off knob)		
43	999059	Front cover		
44	999942	Control panel (front)		
45	996163	Printed circuit board (CMP2 MI/FFI)		
46	569711	Nylon bush (10mm - 20 pcs)		
47	999245	Pressure gauge		
48	-----	Control panel		11
49	998953	Cable holder cover		
50	571548	U-Clip		
51	998517	Gasket (20 pcs)		
52	995979	Cable (power supply)		
53	998863	Low voltage wiring		
54	996335	Flue hood	B	
54	996425	Flue hood	A	
55	-----	Panel (combustion chamber rear)		11
56	573349	Spring (Flue Control Probe)		
57	995348	Flue control probe cable	A	
57	995309	Flue control probe cable	B	
58	996126	Panel (insulation - rear)	A	
58	996161	Panel (insulation - rear)	B	
59	995893	Panel (combustion chamber - L.H. side)	A	
59	995922	Panel (combustion chamber - L.H. side)	B	
60	998639	Panel (insulation - side)		
61	996065	Thermostat (overheat- 103°C)		

PART.	CODE	DESCRIPTION	REF.	NOTE
62	998583	Fixing spring (overheat thermostat)		
63	999927	Cable (overheat thermostat)		
64	998887	Burner 14 ramp (N.G.)	B	
64	996158	Burner 12 ramp (N.G.)	A	
65	995335	Protection screen	B	
65	999411	Protection screen	A	
66	571646	Secondary exchanger (p-type 23kW)	A	
66	573295	Secondary exchanger (p-type 27kW)	B	
67	573825	O-Ring (secondary exchanger - 10 pcs)		
68	996336	Diverter valve (DHW)		
69	573172	Safety valve (1/2" 3 bar)		
70	998567	Nut (pipe - safety valve)		
71	573176	Pipe (safety valve outlet)		
72	998729	Pipe (gas valve)		
73	572138	Burner jet washer (20 pcs)		
74	998433	Burner jet (N.G. 1.30) (10 pcs)		
75	999435	Protection screen		
76	998898	Pipe (C.H. return)		
77	998604	Reset button		
78	998571	Reset button (insert)		
79	999148	Selector button (comfort)		
80	998579	Spindle (comfort)		
81	999968	Cable (P.C.B. - pump)		
82	569720	Blind grommet		
83	571787	Terminal board (two pole)		
84	997745	Timer opening cover		
85	998623	Electrode (Ignition R.H.)		
86	998622	Electrode (Ignition L.H.)		
87	998624	Electrode (Detection)		
88	998620	Main exchanger	A	
88	999152	Exchanger	B	
89	995921	Panel (combustion chamber - front)	B	
89	996134	Panel (combustion chamber - front)	A	
90	995952	Panel (insulation - front)	B	
90	995999	Panel (insulation - front)	A	
91	995923	Panel (combustion chamber - R.H. side)	B	
91	995892	Panel (combustion chamber - R.H. side)	A	
92	995312	Plate (frontal)	B	
301	998695	Case panel (L.H. side)		
302	991944	Front template		
303	998694	Case panel (R.H. side)		
304	995343	Panel (front case)	B	
304	998690	Panel (front case)	A	
305	995305	Washer (20 pcs)		
311	998716	Burner jet (full kit - N.G.) (15 pcs)		12
312	998717	Burner jet (full kit - L.P.G.) (15 pcs)		12

NOTE	DESCRIPTION
11	Not supplied as a spare part
12	Not illustrated