



SPARE PARTS EXPLODED VIEW
GAS WALL BOILERS

Models

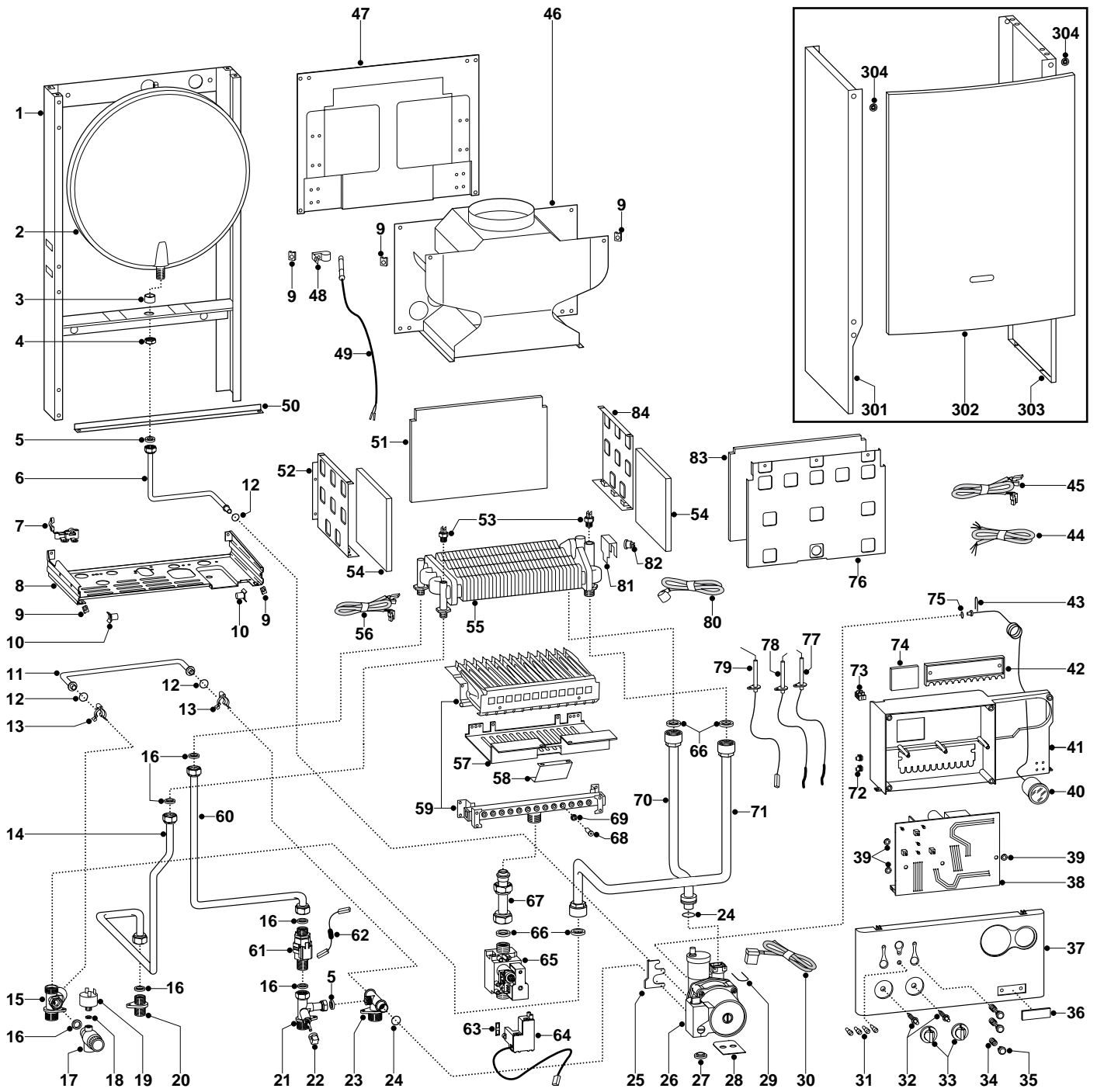
T2 23 MI

Edition 2 of 1 December 2001



Add to Edition 1

ER2001210021002001



ER2001210021002001

MODELS	CHARACTERISTICS	SERIAL NO: VALIDITY	REF.
T2 23 MI	METHANE	2120128200001	A
T2 23 MI	LPG	2120128200001	B

PART.	CODE	DESCRIPTION	REF.	NOTE
1	-----	Boiler frame		11
2	998616	Expansion vessel		
3	998776	Bush		
4	998581	3/8" lock nut		
5	573521	Gasket 3/8"		
6	999525	Pipe (expansion vessel)		
7	998580	Cable holder		
8	-----	Hydraulic group support		11
9	570717	Spring (fastening)		
10	995492	Pivot		
11	998589	By-pass pipe		
12	998077	O-ring gasket		
13	998064	Spring (by-pass pipe)		
14	999109	Pipe (hot water outlet)		
15	996049	Flow group (twin pass)		
16	573528	Gasket 1/2"		
17	998447	Safety valve (1/4" 3 Bar)		
18	569390	Gasket 1/4"		
19	995903	Low water pressure switch		
20	998611	Union (hot water outlet)		
21	996050	Tap fitting		
22	571559	Filling cock knob		
23	996048	Return group with tap attachment		
24	998424	O-ring		
25	999162	Pump bracket		
26	999688	Pump		
27	999100	Lock washer		
28	995364	Spacer plate (pump)		
29	997153	U-clip		
30	999968	Cable pump-circuit		
31	998577	Led (L=14.2)		
32	999592	Spindle (knobs)		
33	999668	Control knob		
34	999595	Spring (push button)		
35	999977	Control panel button		
36	997048	Name badge		
37	995460	Control panel (front)		
38	999409	P.C.B. (T2-I)		
39	569711	Nylon bush (10mm)		
40	999245	Pressure gauge		
41	-----	Control panel		11
42	998953	Cable holder cover		
43	571548	Clip (main flow switch)		
44	999521	Cable (power supply)		
45	998635	Low voltage wiring		
46	995926	Flue hood		
47	-----	Panel (combustion chamber rear)		11
48	573349	Spring (Flue Control Probe)		
49	995348	Flue control probe cable		
50	995393	Frame support		
51	995998	Panel (insulation - rear)		
52	995893	Panel (combustion chamber - L.H. side)		
53	998458	Temperature probe		
54	998639	Panel (insulation - side)		
55	998619	Exchanger (twin pass)		
56	998865	Wiring (probes)		
57	999411	Protection screen		
58	999435	Protection screen		
59	998618	Burner 12 ramp (natural gas)	A	
59	998669	Burner 12 ramp (L.P.G.)	B	
60	996083	Pipe (cold water inlet)		
61	996072	Flow gauge (bitron - 1/2" M-M)		
62	999495	Extension (with 15 Ohm resistance)		
63	574279	Gasket		
64	999919	Spark generator		

PART.	CODE	DESCRIPTION	REF.	NOTE
65	997089	Gas valve (SIT 845 SIGMA)		
66	573520	Gasket 3/4"		
67	998729	Pipe (gas valve)		
68	998433	Burner jet (N.G. 1.30)	A	
68	998434	Burner jet (L.P.G. 0.77)	B	
69	572138	Burner jet washer		
70	998734	Pipe (C.H. return)		
71	998733	Pipe (C.H. flow)		
72	569720	Blind grommet		
73	571787	Terminal board (two pole)		
74	997745	Timer opening cover		
75	998517	Gasket		
76	995889	Panel (combustion chamber - front)		
77	998623	Electrode (Ignition R.H.)		
78	998622	Electrode (Ignition L.H.)		
79	998624	Detection electrode		
80	999927	Cable (overheat thermostat)		
81	998582	Fixing spring (overheat thermostat)		
82	996065	Thermostat (overheat- 103°C)		
83	995999	Panel (insulation - front)		
84	995892	Panel (combustion chamber - R.H. side)		
301	998695	Case panel (L.H. side)		
302	999470	Panel (front case)		
303	998694	Case panel (R.H. side)		
304	995305	Washer		
311	998716	Burner jet (full kit - N.G.)		12
312	998717	Burner jet (full kit - L.P.G.)		12

NOTE	DESCRIPTION
11	Not supplied as a spare part
12	Not illustrated

ER2001210021002001