



SPARE PARTS EXPLODED VIEW
GAS WALL BOILERS

Model

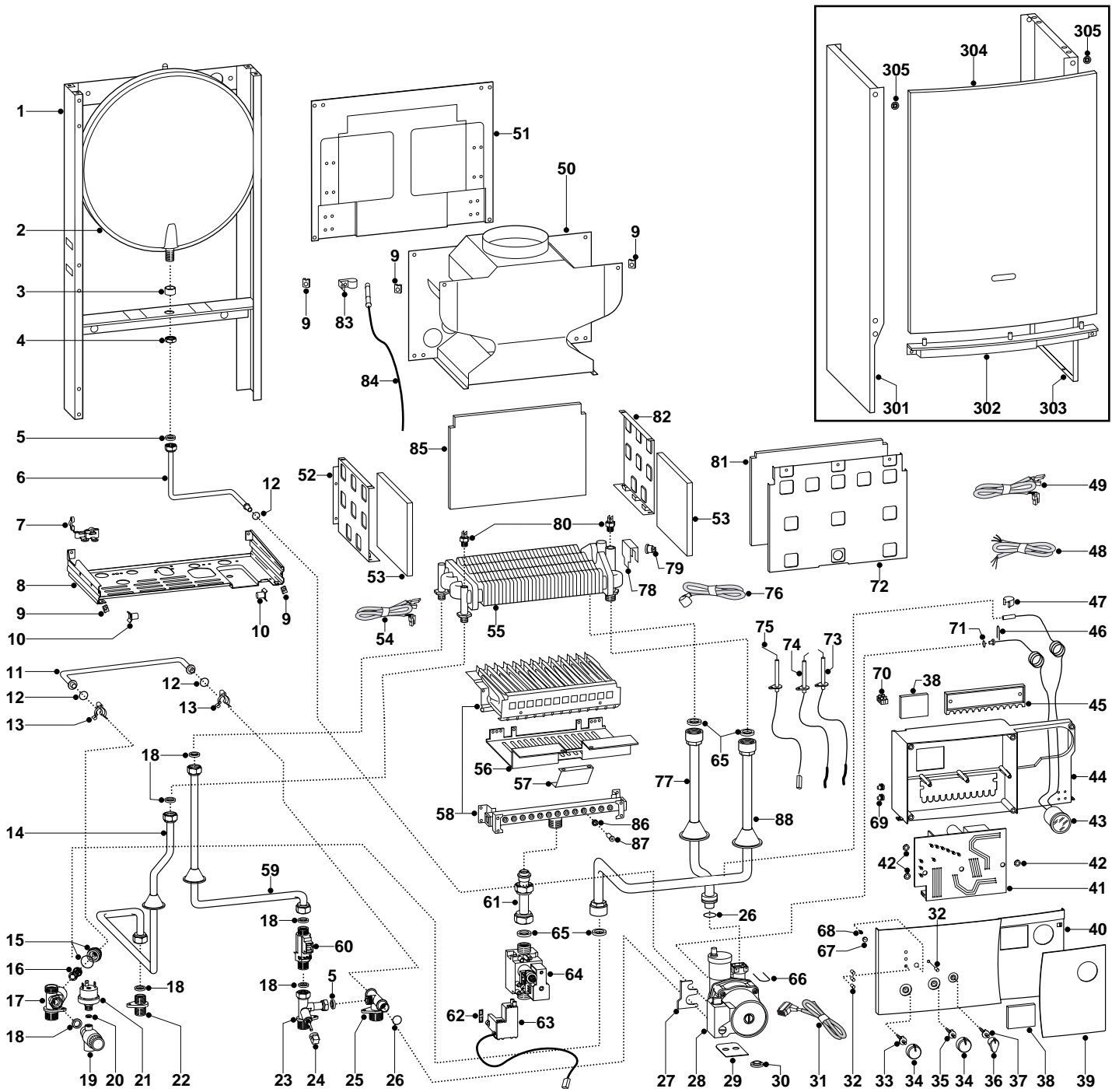
TX 23 MI EAA

Edition 2 of 24 August 2005



Add to Edition 1

ER2005210046802001



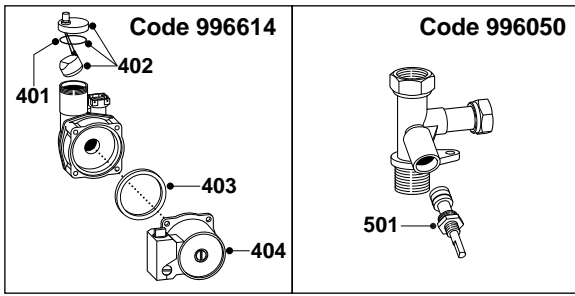
ER2005210046802001

MODEL	CODE	SERIAL NO. VALIDITY	REF.
TX 23 MI EAA	537823	2320523600001	A

PART.	CODE	DESCRIPTION	REF.	NOTE
1	-----	Frame		11
2	998616	Expansion vessel		
3	998776	Bush (expansion vessel)		
4	998581	3/8" lock nut		
5	573521	Gasket 3/8" (25 pcs)		
6	999525	Pipe (expansion vessel)		
7	998580	Cable holder		
8	-----	Hydraulic group support		11
9	570717	Spring (fastening) (5 pcs)		
10	995492	Pivot		
11	998589	By-pass pipe		
12	998077	O-ring gasket (20 pcs)		
13	998064	Spring (by-pass pipe) (10 pcs)		
14	999109	Pipe (D.H.W. outlet)		
15	65102068	Union by-pass + O-ring		
16	996046	By-pass		
17	996049	Flow group (twin pass)		
18	573528	Gasket 1/2" (25 pcs)		
19	998447	Safety valve (1/4" 3 Bar)		
20	569390	Gasket 1/4" (25 pcs)		
21	995903	Low water pressure switch		
22	998611	Union (hot water outlet)		
23	996050	Tap fitting		
24	571559	Filling cock knob		
25	996048	Return group with tap attachment		
26	998424	O-ring (C=4 D=17,04) (10 pcs)		
27	999162	Pump bracket		
28	996614	Kit for rear pump attachment		
29	995364	Spacer plate (pump) (20 pcs)		
30	999100	Lock washer (20 pcs)		
31	999968	Cable (P.C.B. - pump)		
32	998576	Led (L=10.8)		
33	998578	Spindle (temperature knob)		
34	998933	Control knob		
35	998575	Spindle (temperature knob)		
36	998932	On-Off knob		
37	998574	Spindle (on/off knob)		
38	997745	Cover (potentiometers/P.C.B.)		
39	995373	Front cover door		
40	998927	Control panel		
41	65101374	P.C.B. (TEC2M-HS MI/MFFI)		
42	569711	Nylon bush (10mm - 20 pcs)		
43	999520	Temperature/pressure gauge		
44	-----	Control panel		11
45	999238	Control panel cover		
46	65103198	U-Clip (int. 10)		
47	571565	Fixing spring (pressure gauge) (10 pcs)		
48	995979	Cable (power supply)		
49	998635	Low voltage wiring		
50	996425	Flue hood		
51	-----	Panel (combustion chamber - rear)		11
52	995893	Panel (combustion chamber - L.H. side)		
53	998639	Panel (insulation - side)		
54	65103142	Wiring (probe)		
55	998619	Exchanger (twin pass)		
56	999411	Protection screen		
57	999435	Protection screen		
58	996158	Burner 12 ramp (N.G.)		
59	996083	Pipe (cold water inlet)		
60	65100296	Flow gauge (bitron - 1/2" M-M)		
61	65100432	Pipe (gas inlet)		
62	574279	Gasket (spark generator) (5 pcs)		
63	65100514	Spark generator (kit)		
64	997089	Gas valve (SIT 845 SIGMA)		
65	573520	Gasket 3/4" (25 pcs)		
66	997153	U-clip (20 pcs)		

PART.	CODE	DESCRIPTION	REF.	NOTE
67	998604	Button (reset)		
68	998573	Reset button (insert)		
69	569720	Blind grommet		
70	571787	Terminal board (two pole)		
71	998517	Gasket (20 pcs)		
72	65100555	Panel (combustion chamber - front)		
73	65100251	Electrode (Ignition R.H.)		
74	65100250	Electrode (Ignition L.H.)		
75	998624	Electrode (Detection)		
76	999927	Cable (overheat thermostat)		
77	998734	Pipe (C.H. return)		
78	998582	Fixing spring (overheat thermostat)		
79	996065	Thermostat (overheat- 103°C)		
80	998458	Temperature probe (D.H.W.)		
81	995999	Panel (insulation - front)		
82	995892	Panel (combustion chamber - R.H. side)		
83	573349	Spring (Flue Control Probe) (10 pcs)		
84	995348	Cable (flue control probe)		
85	996126	Panel (insulation - rear)		
86	572138	Burner jet washer (20 pcs)		
87	998433	Burner jet (NG D.1.30) (10 pcs)		
88	998733	Pipe (C.H. flow)		
301	998695	Case panel (L.H. side)		
302	991944	Front panel crossbar		
303	998694	Case panel (R.H. side)		
304	998442	Case panel (front)		
305	995305	Washer (20 pcs)		
401	998644	O-ring (pump) (10 pcs)		
402	998643	Auto Air Vent		
403	998738	Gasket (pump head)		
404	996615	Kit (motor pump)		
601	999511	10 L flow limiting device		12
602	999512	12 L flow limiting device		12
701	998716	Burner jet full kit (NG - 15 pcs)		12
702	998717	Burner jet full kit (LPG - 15 pcs)		12

NOTE	DESCRIPTION
11	Not supplied as a spare part
12	Not illustrated



PART.	CODE	DESCRIPTION	REF.	NOTE
401	998644	O-ring (pump) (10 pcs)		
402	998643	Auto Air Vent		
403	998738	Gasket (pump head)		
404	996615	Kit (motor pump)		
501	996071	Tap kit		