



SPARE PARTS LIST  
ELECTRIC WATER HEATER GEYSER  
Models

**BOOSTER 80**

**BOOSTER 100**

---

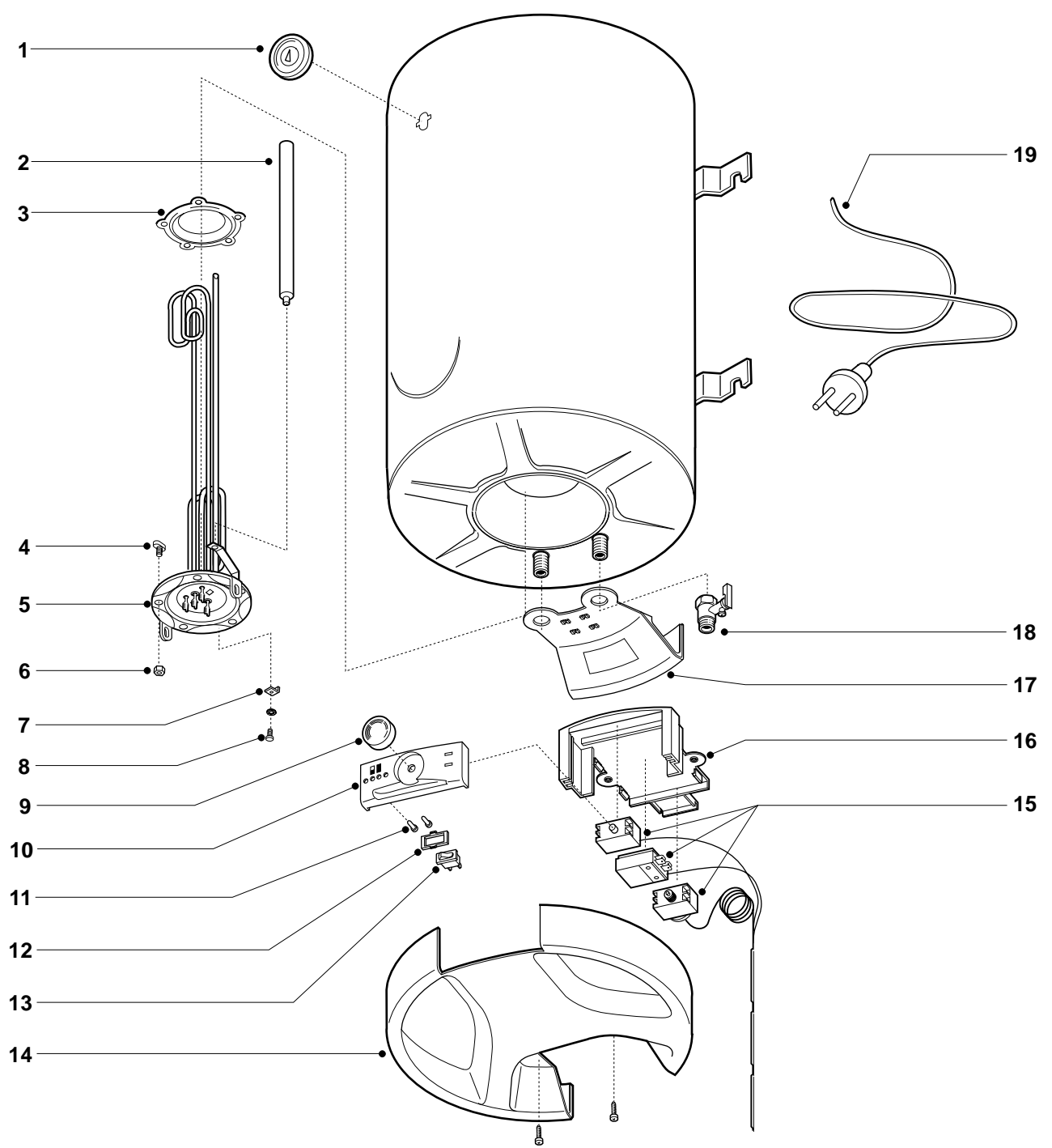
Edition 1 of 1 June 1999

Revision 3 of 4 May 2001



Replaces Ed. 1 - Rev. 2

ER200183009401031



ER2001830009401031

MODELS	CODE	SERIAL NO. VALIDITY	REF.
BOOSTER 80	869247	990420	A
BOOSTER 100	869248	990413	B

<b>PART.</b>	<b>CODE</b>	<b>DESCRIPTION</b>	<b>REF.</b>	<b>NOTE</b>
1	993156	Thermometer		21
2	570285	Anode (magnesium M8 21.3x380)		
3	571312	Element gasket (5 Stud)		
4	570316	Flange screw (M8x20)		
5	993201	Element (1200-1500W 230V - 80 LT)	A	25
5	993202	Element (1200-1500W 230V - 100 LT)	B	26
6	570127	M8x14x8 hexagonal nut		
7	570063	Terminal (earth)		
8	993015	Screw (M4x10 for groundig terminal)		
9	993104	Control knob		
10	993113	Front cover + wiring loom		
11	993114	Switch		
12	993111	Switch support		
13	993103	Push button		
14	993101	Plastic cover with gasket		
15	993269	Wired thermostat		22,23,27
16	993267	Thermostat support		28
17	993138	Plastic cover sector		24
18	571730	Safety valve		
19	571751	Cable (power supply)		
101	469989	Plastic dowels		11

<b>NOTE</b>	<b>DESCRIPTION</b>
11	Not illustrated
21	Replaces code 993117 - from serial number: 990920 - production improvement
22	Replaces code 993181 - from serial number: 000511 - operating change
23	Replaces code 993182 - from serial number: 000511 - operating change
24	Replaces code 993100 - from serial number: 991112 - production improvement
25	Replaces code 816003 - from serial number: 000511 - production improvement
26	Replaces code 816004 - from serial number: 000511 - production improvement
27	Replaces code 993205 - from serial number: 010501 - production improvement
28	Replaces code 993102 - from serial number: 010501 - production improvement