

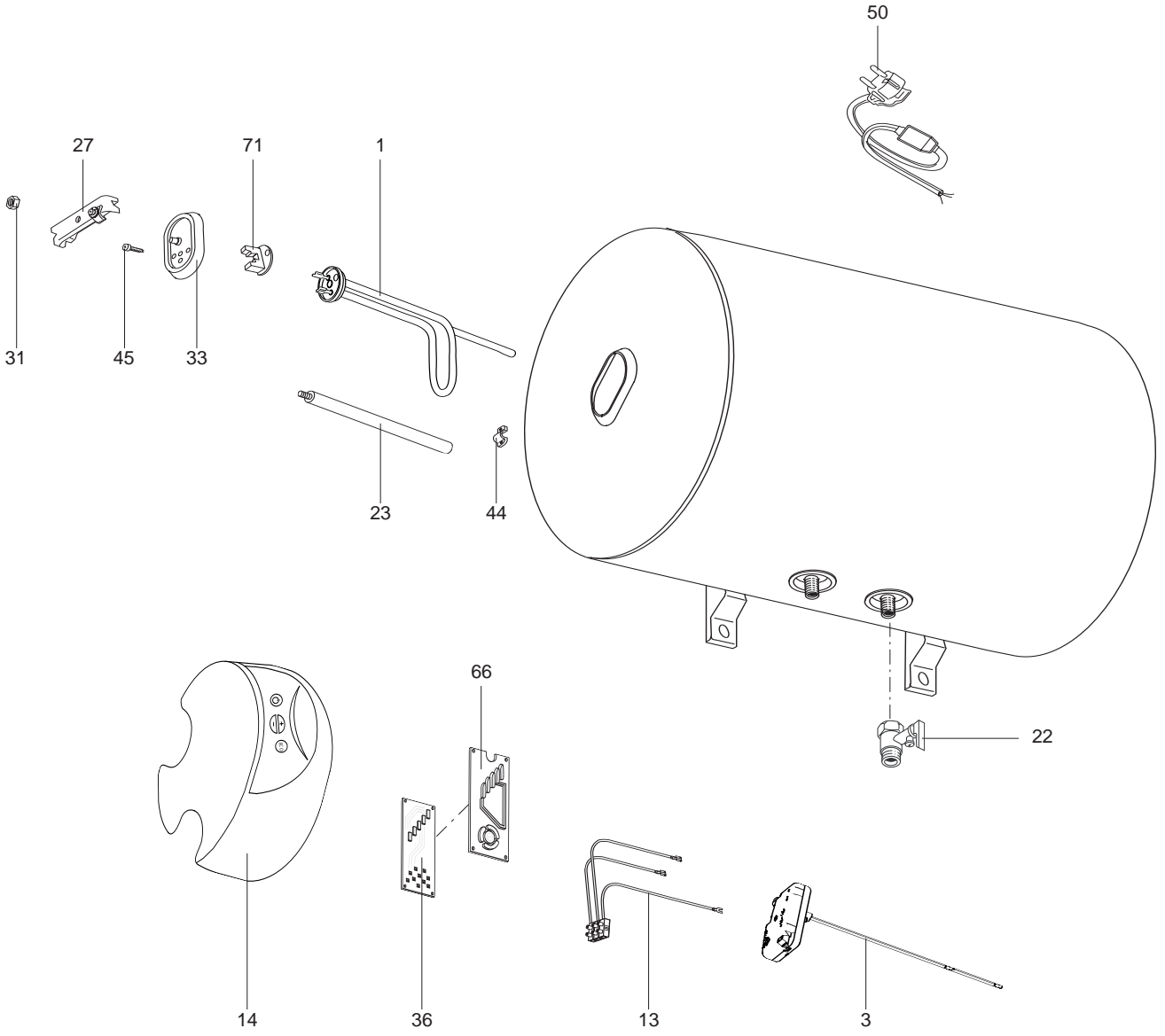
SPARE PARTS EXPLODED VIEW
STORAGE ELECTRIC WATER HEATERS

Model

ABS PRO ECO H

R8216298-03EN - Edition 03 - 04/11/2009

370 0170		ABS PRO ECO 80 H
370 0171		ABS PRO ECO 100 H
Reference	Ind.	Model type	Begin	End



LIST OF THE ABBREVIATIONS

HW	: Hot water.
CW	: Cold water.
C	: Ceramic resistance (normal heating).
Ca	: Ceramic resistance (accelerated heating)
TP	: Immersion heater.
1F	: With fittings.
2F	: Without fittings.
3F	: With fittings and another outlet connection.
AMI	: With mixing valve.
SMI	: Without mixing valve.
PUISS	: Power of th appliance.
PN	: Appliance with normal pression.
LP	: Appliance with low pression.
PV	: Appliance with variable power.
PF	: Appliance with fixed power..

IDENTIFICATION PLATE

SERIAL NUMBER

Ex: 03 09 08 (Until 12/06)
 Year of manufacture | Manufacturing day
 Month of manufacture : from 1 to 12 → January to December

Ex: 02 11 00001 007843 OR
 Year of manufacture | Product reference
 Month of manufacture | Sequential number

Ex: 3200050 XX 070115 0000001 (From 01/07)
 Product reference | Sequential number
 Year (07) / Month (01) / Manufacture day (15)

Ex: 3200050 XX 08115 0000001 OR
 Product reference | Sequential number
 Year (08) / Manufacturing day. Ex: 115th day of the year

The indications mentioned on the prices, commercial or technical literature and the scheme are written for your guidance and are available at a given time. The CONSTRUCTOR retains the power to modify the presentation, the form, the size, the conception or the material of the products.